

CONTENTS

DRAINAGE CATHETER SET

- 4 PIGTAIL TYPE (BT-PD1-series)
- 5 PIGTAIL TYPE (BT-PDS-series)
- 6 CURVED (J) TYPE (BT-PD1-series(J))
- 7 CURVED (J) TYPE (BT-PDS-series(J))
- 8 MINI-PIGTAIL TYPE (BT-PD1-series-W(MN))
- 9 MINI-PIGTAIL TYPE (BT-PDS-series-W(MN))
- 10 STRAIGHT TYPE (BT-PD0-series)
- 11 STRAIGHT TYPE (BT-PD2-series)
- 12 MALECOT TYPE (BT-PD1-series(M))
- 13 MALECOT TYPE (BT-PDS-series(M))
- 14 CLOSE LOOP PIGTAIL TYPE (BT-PD1-series(CL))
- 15 CLOSE LOOP PIGTAIL TYPE (BT-PDS-series(CL))
- 16 CLOSE LOOP PIGTAIL TYPE (BT-PD1-series(CL)-RB)
- 17 CLOSE LOOP PIGTAIL TYPE (BT-PDS-series(CL)-RB)
- 18 MINI-CLOSE LOOP PIGTAIL TYPE (BT-PD1-series(MCL))
- 19 MINI-CLOSE LOOP PIGTAIL TYPE (BT-PDS-series(MCL))
- 20 PIGTAIL TYPE FOR ETHANOL SCLEROTHERAPY(BT-PD1-series(ETL))
- 21 PIGTAIL TYPE FOR ETHANOL SCLEROTHERAPY(BT-PDS-series(ETL))
- 22 BILIARY CATHETER (BT-PDS-series(B))
- 23 BILIARY CATHETER WITH RADIOPAQUE BAND (BT-PDS-series(B)-RB)
- 24 SNAP-LOCK CATHETER SET (BT-PD1-series-SHN)
- 25 CENTESIS CATHETER SET (BT-PD1-series(MCL)-HS)

CATHETER ONLY

- 28 PIGTAIL TYPE (BT-PD4-series)
- 29 CLOSE LOOP PIGTAIL TYPE (BT-PD4-series(CL))

ACCESSORIES

- 32 CONNECTING TUBE
- 33 DRAINAGE BAG
- 34 DILATORS
- 38 ACCESS NEEDLES
- 41 DRAIN-LOK SECUREMENT DEVICE
- 42 STOPCOCK/ RETENTION DEVICE
- 43 GUIDEWIRE/SCALPEL

INTRODUCER SET

- 46 6Fr-4Fr Co-axial Dilator+Introducer Needle+Guide Wire(0.018"; Nitinol)
- 46 6Fr-4Fr Co-axial Dilator+Introducer Needle+Guide Wire(0.018"; Nitinol)+Guide Wire(0.035"; Stainless steel)
- 46 6Fr-4Fr Co-axial Dilator+Introducer Needle
- 47 6Fr-4Fr Co-axial Dilator+Introducer Needle+Guide Wire(0.018"; Stainless Steel)
- 47 6Fr-4Fr Co-axial Dilator+Introducer Needle+Guide Wire(0.018"; Stainless Steel)+Guide Wire(0.035"; Stainless steel)
- 48 5Fr-3Fr Co-axial Dilator+Introducer Needle+ Guide Wire(0.018"; Nitinol)
- 48 5Fr-3Fr Co-axial Dilator+ Introducer Needle+ Guide Wire(0.018"; Nitinol))+ Guide Wire(0.035"; Stainless steel)
- 48 5Fr-3Fr Co-axial Dilator+ Introducer Needle
- 49 5Fr-3Fr Co-axial Dilator+Introducer Needle+ Guide Wire(0.018"; Stainless Steel)
- 49 5Fr-3Fr Co-axial Dilator+Introducer Needle+ Guide Wire(0.018"; Stainless Steel)+ Guide Wire(0.035"; Stainless steel)
- 50 PTC Catheter+Introducer Needle
- 51 5Fr Introducer Sheathed Needle+ Guide Wire(0.018"; Nitinol)
- 51 5Fr Introducer Sheathed Needle+ Guide Wire(0.018"; Nitinol)+ Guide Wire(0.035"; Stainless steel)

DRAINAGE CATHETER KIT

- 54 INTRODUCER DRAINAGE CATHETER KIT (NK1 TYPE)
- 56 INTRODUCER DRAINAGE CATHETER KIT (NK2 TYPE)
- 58 INTRODUCER DRAINAGE CATHETER KIT (NK2A TYPE)
- 60 OPTIONAL ACCESSORIES (+ZZ)

DRAINAGE CATHETER SET



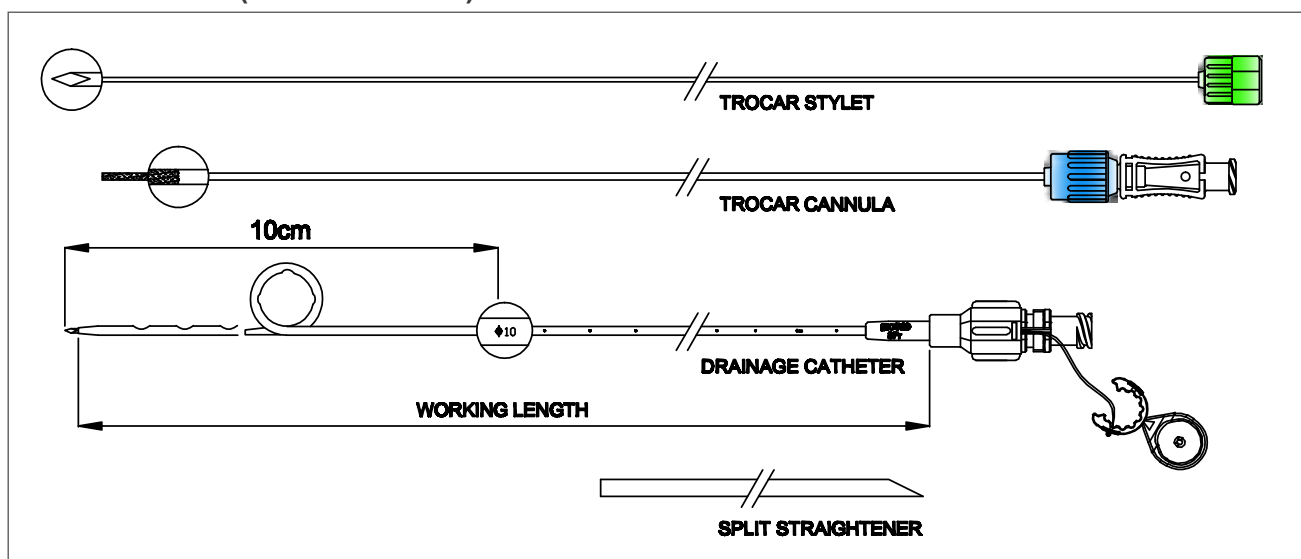


DRAINAGE CATHETER SET-DIRECT ACCESS



- Used for nephrostomy, abscess, and other multipurpose drainage.
- Catheter placement is performed using one step (direct access) technique.
- The safety string lock system provides strong fixation of the pigtail.
- Hydrophilic decreased friction of the distal catheter facilitates easy insertion.
- Large oval drainage holes increase drainage capability.
- Supplied sterile in peel-open packages.
- Intended for one-time use.

PIGTAIL TYPE (BT-PD1-series)



With SAFETY STRING LOCK

French Size	Order Number	Accepts Guide Wire Diameter	Working Length
6F	BT-PD1-06XX-W	.035 inch (0.89mm)	
7F	BT-PD1-07XX-W	.035 inch (0.89mm)	19 cm (XX=20)
8F	BT-PD1-08XX-W	.038 inch (0.97mm)	24 cm (XX=25)
9F	BT-PD1-09XX-W	.038 inch (0.97mm)	29 cm (XX=30)
10F	BT-PD1-10XX-W	.038 inch (0.97mm)	39 cm (XX=40)
12F	BT-PD1-12XX-W	.038 inch (0.97mm)	
14F	BT-PD1-14XX-W	.038 inch (0.97mm)	
16F	BT-PD1-16XX-W	.038 inch (0.97mm)	

Without SAFETY STRING LOCK

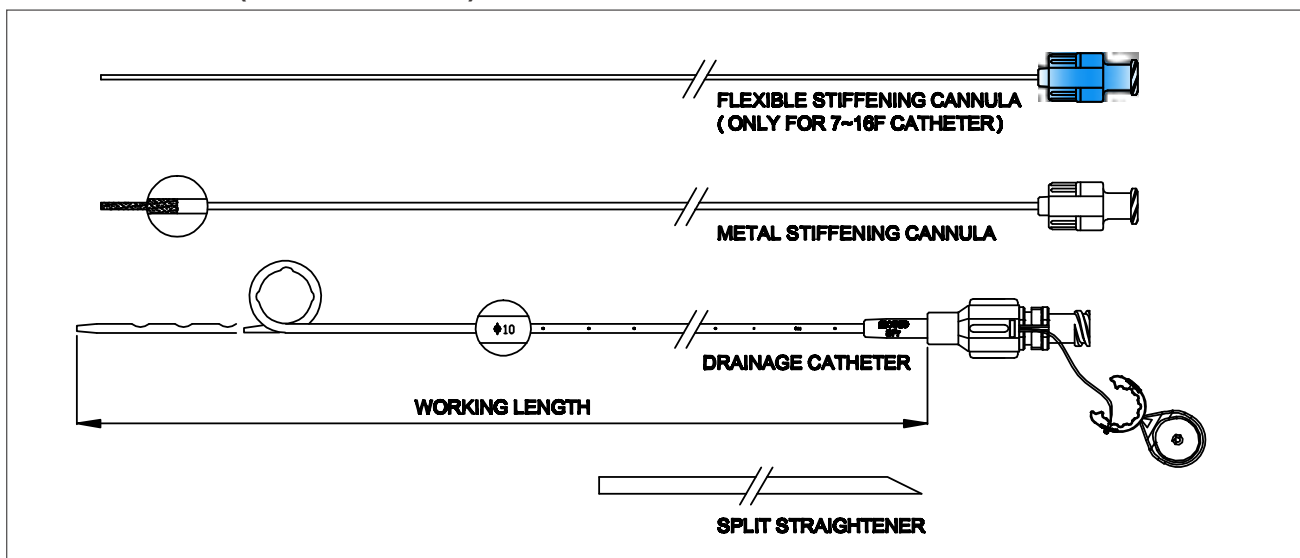
French Size	Order Number	Accepts Guide Wire Diameter	Working Length
5F	BT-PD1-05XX	.035 inch (0.89mm)	
6F	BT-PD1-06XX	.035 inch (0.89mm)	19 cm (XX=20)
7F	BT-PD1-07XX	.035 inch (0.89mm)	24 cm (XX=25)
8F	BT-PD1-08XX	.038 inch (0.97mm)	29 cm (XX=30)
9F	BT-PD1-09XX	.038 inch (0.97mm)	39 cm (XX=40)
10F	BT-PD1-10XX	.038 inch (0.97mm)	
12F	BT-PD1-12XX	.038 inch (0.97mm)	
14F	BT-PD1-14XX	.038 inch (0.97mm)	
16F	BT-PD1-16XX	.038 inch (0.97mm)	

DRAINAGE CATHETER SET-SELDINGER



- Used for nephrostomy, abscess, and other multipurpose drainage.
- Catheter placement is performed using Seldinger technique.
- The safety string lock system provides strong fixation of the pigtail.
- Hydrophilic coating decreased friction of the distal catheter facilitates easy insertion.
- Large oval drainage holes increase drainage capability.
- Supplied sterile in peel-open packages and for one-time use.

PIGTAIL TYPE (BT-PDS-series)



With SAFETY STRING LOCK

French Size	Order Number	Accepts Guide Wire Diameter	Working Length
6F	BT-PDS-06XX-W	.035 inch (0.89mm)	
7F	BT-PDS-07XX-W	.035 inch (0.89mm)	19 cm (XX=20)
8F	BT-PDS-08XX-W	.038 inch (0.97mm)	24 cm (XX=25)
9F	BT-PDS-09XX-W	.038 inch (0.97mm)	29 cm (XX=30)
10F	BT-PDS-10XX-W	.038 inch (0.97mm)	34 cm (XX=35)
12F	BT-PDS-12XX-W	.038 inch (0.97mm)	39 cm (XX=40)
14F	BT-PDS-14XX-W	.038 inch (0.97mm)	44 cm (XX=45)
16F	BT-PDS-16XX-W	.038 inch (0.97mm)	49 cm (XX=50)

Without SAFETY STRING LOCK

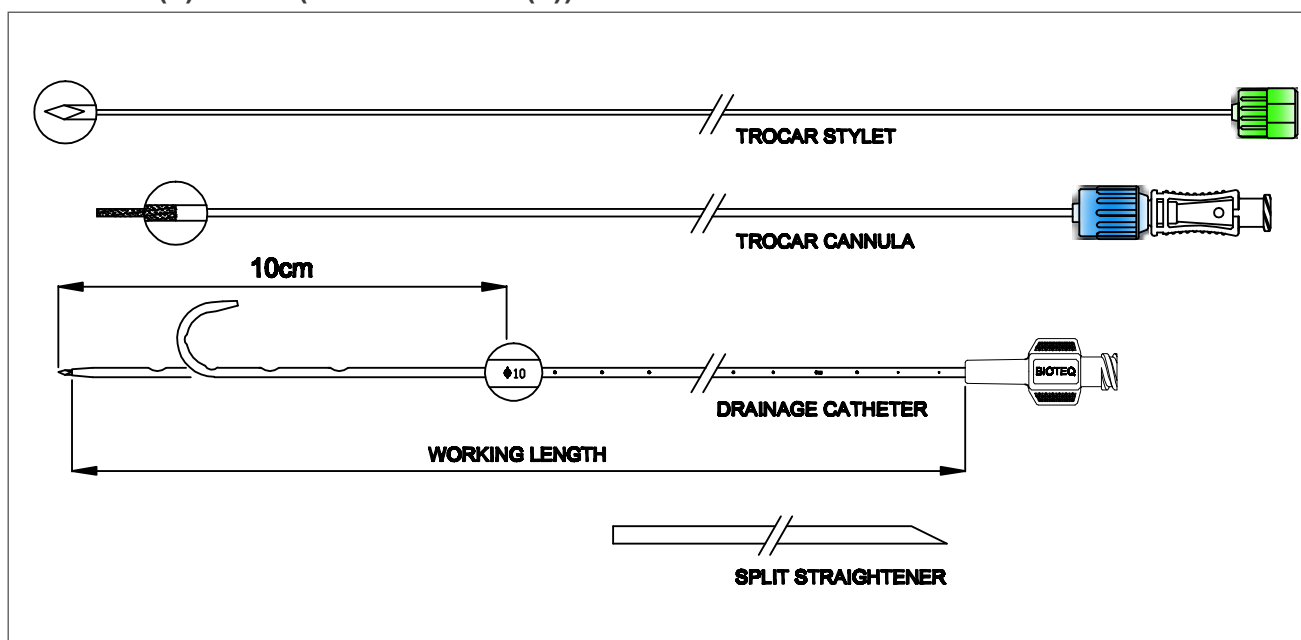
French Size	Order Number	Accepts Guide Wire Diameter	Working Length
5F	BT-PDS-05XX	.035 inch (0.89mm)	
6F	BT-PDS-06XX	.035 inch (0.89mm)	19 cm (XX=20)
7F	BT-PDS-07XX	.035 inch (0.89mm)	24 cm (XX=25)
8F	BT-PDS-08XX	.038 inch (0.97mm)	29 cm (XX=30)
9F	BT-PDS-09XX	.038 inch (0.97mm)	34 cm (XX=35)
10F	BT-PDS-10XX	.038 inch (0.97mm)	39 cm (XX=40)
12F	BT-PDS-12XX	.038 inch (0.97mm)	44 cm (XX=45)
14F	BT-PDS-14XX	.038 inch (0.97mm)	49 cm (XX=50)
16F	BT-PDS-16XX	.038 inch (0.97mm)	

DRAINAGE CATHETER SET-DIRECT ACCESS



- Used for abscess, and other multipurpose drainage.
- Catheter placement is performed using one step (direct access) technique.
- Hydrophilic coating decreased friction of the distal catheter facilitates easy insertion.
- Large oval drainage holes increase drainage capability.
- Supplied sterile in peel-open packages.
- Intended for one-time use.

CURVED (J) TYPE (BT-PD1-series(J))



Without SAFETY STRING LOCK

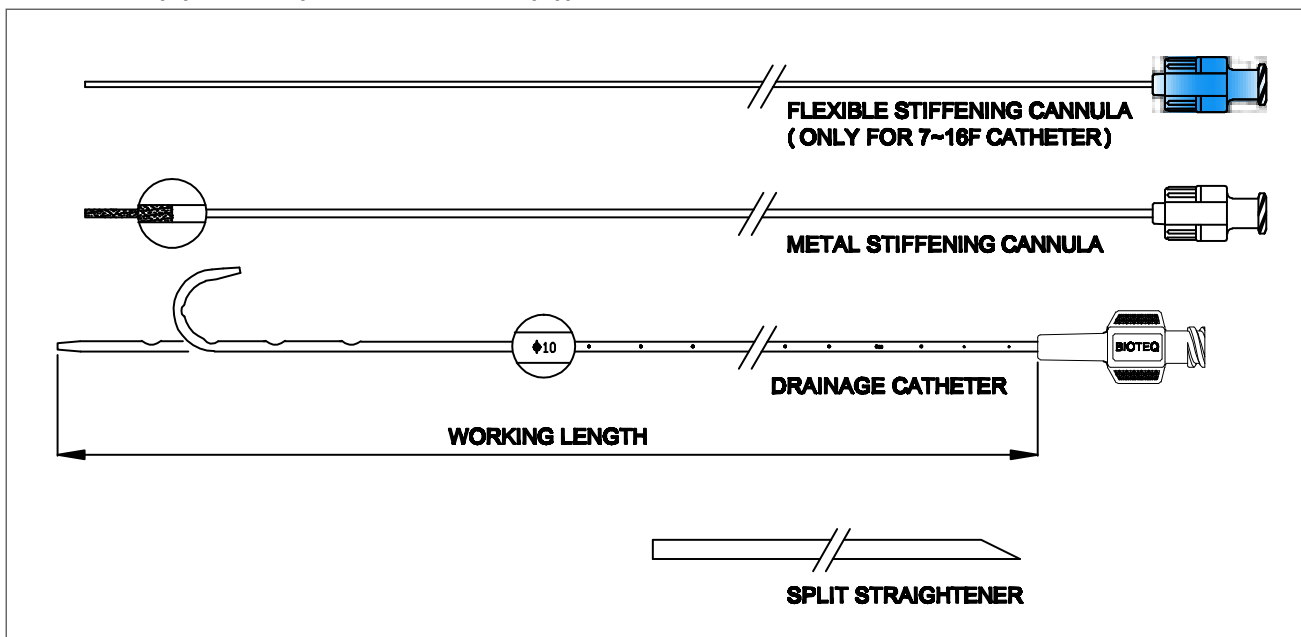
French Size	Order Number	Accepts Guide Wire Diameter	Working Length
5F	BT-PD1-05XX(J)	.035 inch (0.89mm)	
6F	BT-PD1-06XX(J)	.035 inch (0.89mm)	19 cm (XX=20)
7F	BT-PD1-07XX(J)	.035 inch (0.89mm)	24 cm (XX=25)
8F	BT-PD1-08XX(J)	.038 inch (0.97mm)	29 cm (XX=30)
9F	BT-PD1-09XX(J)	.038 inch (0.97mm)	39 cm (XX=40)
10F	BT-PD1-10XX(J)	.038 inch (0.97mm)	
12F	BT-PD1-12XX(J)	.038 inch (0.97mm)	
14F	BT-PD1-14XX(J)	.038 inch (0.97mm)	
16F	BT-PD1-16XX(J)	.038 inch (0.97mm)	

DRAINAGE CATHETER SET-SELDINGER



- Used for abscess, and other multipurpose drainage applications.
- Catheter placement is performed using Seldinger technique.
- Hydrophilic coating decreased friction of the distal catheter facilitates easy insertion.
- Large oval drainage holes increase drainage capability.
- Supplied sterile in peel-open packages.
- Intended for one-time use.

CURVED (J) TYPE (BT-PDS-series(J))



Without SAFETY STRING LOCK

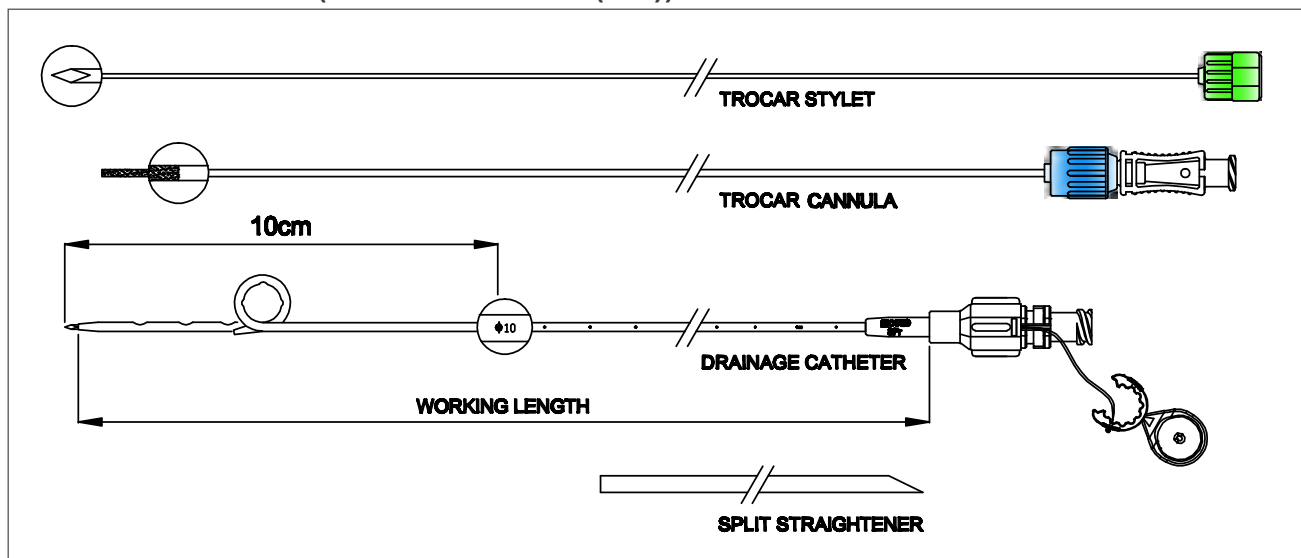
French Size	Order Number	Accepts Guide Wire Diameter	Working Length
5F	BT-PDS-05XX(J)	.035 inch (0.89mm)	
6F	BT-PDS-06XX(J)	.035 inch (0.89mm)	19 cm (XX=20)
7F	BT-PDS-07XX(J)	.035 inch (0.89mm)	24 cm (XX=25)
8F	BT-PDS-08XX(J)	.038 inch (0.97mm)	29 cm (XX=30)
9F	BT-PDS-09XX(J)	.038 inch (0.97mm)	34 cm (XX=35)
10F	BT-PDS-10XX(J)	.038 inch (0.97mm)	39 cm (XX=40)
12F	BT-PDS-12XX(J)	.038 inch (0.97mm)	44 cm (XX=45)
14F	BT-PDS-14XX(J)	.038 inch (0.97mm)	49 cm (XX=50)
16F	BT-PDS-16XX(J)	.038 inch (0.97mm)	

DRAINAGE CATHETER SET-DIRECT ACCESS



- Loop size is smaller than regular pigtail type.
- Used for the early stage of nephrostomy, abscess, and other multipurpose drainage.
- Catheter placement is performed using one step (direct access) technique.
- The safety string lock system provides strong fixation of the pigtail.
- Hydrophilic coating decreased friction of the distal catheter facilitates easy insertion.
- Large oval drainage holes increase drainage capability.
- Supplied sterile in peel-open packages and for one time use.

MINI-PIGTAIL TYPE (BT-PD1-series-W (MN))



With SAFETY STRING LOCK

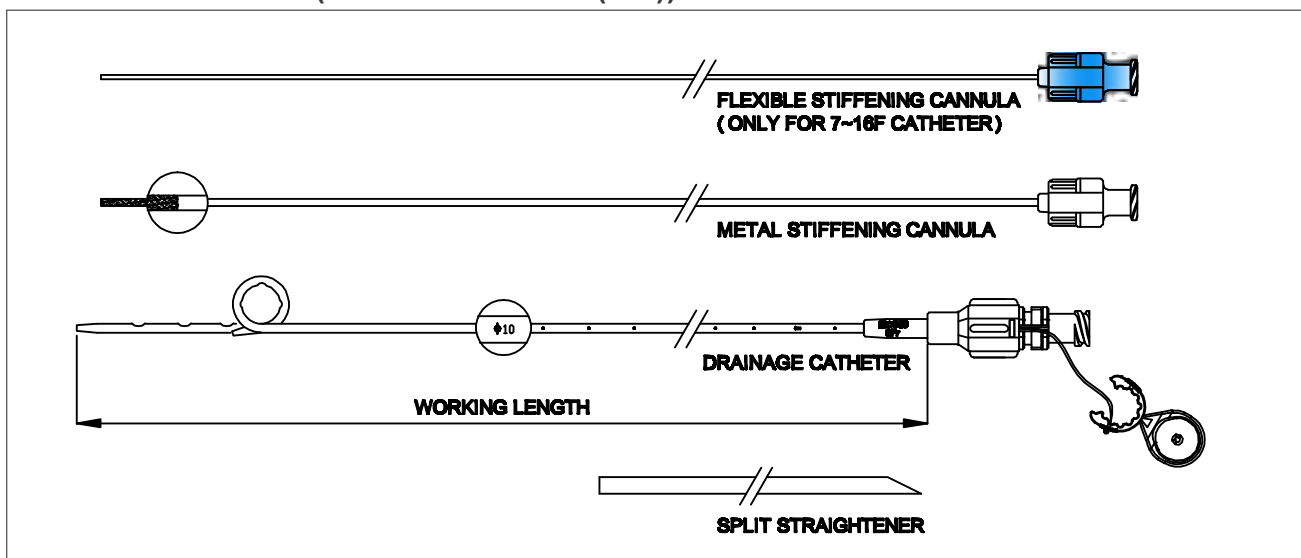
French Size	Order Number	Accepts Guide Wire Diameter	Working Length
6F	BT-PD1-06XX-W(MN)	.035 inch (0.89mm)	
7F	BT-PD1-07XX-W(MN)	.035 inch (0.89mm)	19 cm (XX=20)
8F	BT-PD1-08XX-W(MN)	.038 inch (0.97mm)	24 cm (XX=25)
9F	BT-PD1-09XX-W(MN)	.038 inch (0.97mm)	29 cm (XX=30)
10F	BT-PD1-10XX-W(MN)	.038 inch (0.97mm)	39 cm (XX=40)
12F	BT-PD1-12XX-W(MN)	.038 inch (0.97mm)	
14F	BT-PD1-14XX-W(MN)	.038 inch (0.97mm)	
16F	BT-PD1-16XX-W(MN)	.038 inch (0.97mm)	

DRAINAGE CATHETER SET-SELDINGER



- Loop size is smaller than regular pigtail type.
- Used for the early stage of nephrostomy, abscess, and other multipurpose drainage.
- Catheter placement is performed using Seldinger technique.
- The safety string lock system provides strong fixation of the pigtail.
- Hydrophilic coating decreased friction of the distal catheter facilitates easy insertion.
- Large oval drainage holes increase drainage capability.
- Supplied sterile in peel-open packages and for one time use.

MINI-PIGTAIL TYPE (BT-PDS-series-W (MN))



With SAFETY STRING LOCK

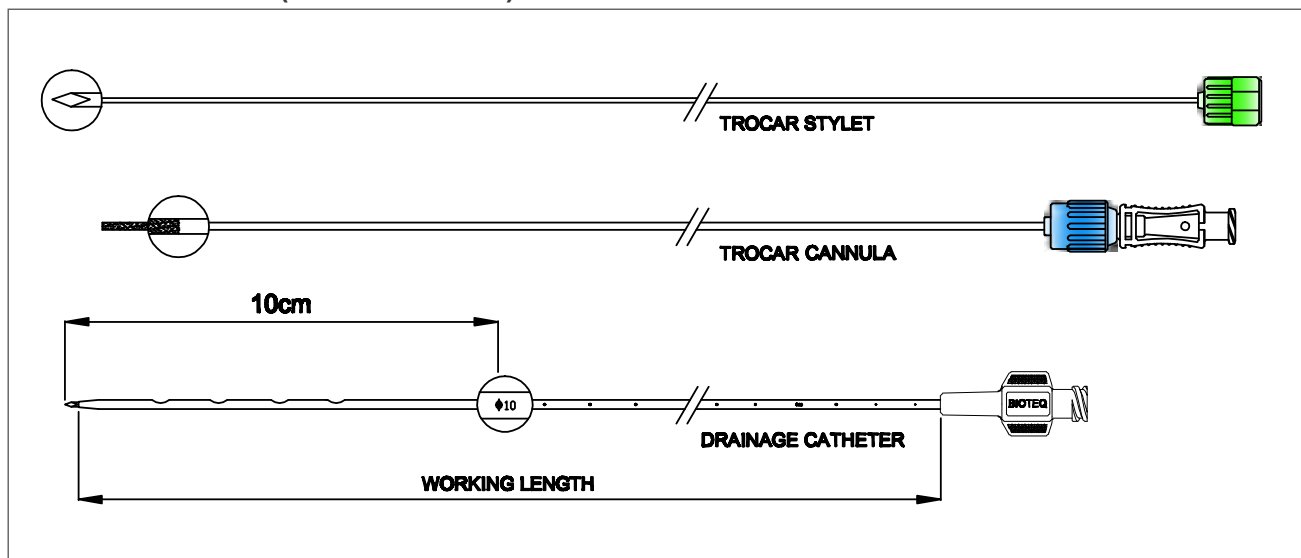
French Size	Order Number	Accepts Guide Wire Diameter	Working Length
6F	BT-PDS-06XX-W(MN)	.035 inch (0.89mm)	
7F	BT-PDS-07XX-W(MN)	.035 inch (0.89mm)	19 cm (XX=20)
8F	BT-PDS-08XX-W(MN)	.038 inch (0.97mm)	24 cm (XX=25)
9F	BT-PDS-09XX-W(MN)	.038 inch (0.97mm)	29 cm (XX=30)
10F	BT-PDS-10XX-W(MN)	.038 inch (0.97mm)	34 cm (XX=35)
12F	BT-PDS-12XX-W(MN)	.038 inch (0.97mm)	39 cm (XX=40)
14F	BT-PDS-14XX-W(MN)	.038 inch (0.97mm)	44 cm (XX=45)
16F	BT-PDS-16XX-W(MN)	.038 inch (0.97mm)	49 cm (XX=50)

DRAINAGE CATHETER SET-DIRECT ACCESS



- Used for abscess, and other multipurpose drainage.
- Catheter placement is performed using one step (direct access) technique.
- Hydrophilic coating decreased friction of the distal catheter facilitates easy insertion.
- Large oval drainage holes increase drainage capability.
- Supplied sterile in peel-open packages.
- Intended for one-time use.

STRAIGHT TYPE (BT-PD0-series)



Without SAFETY STRING LOCK

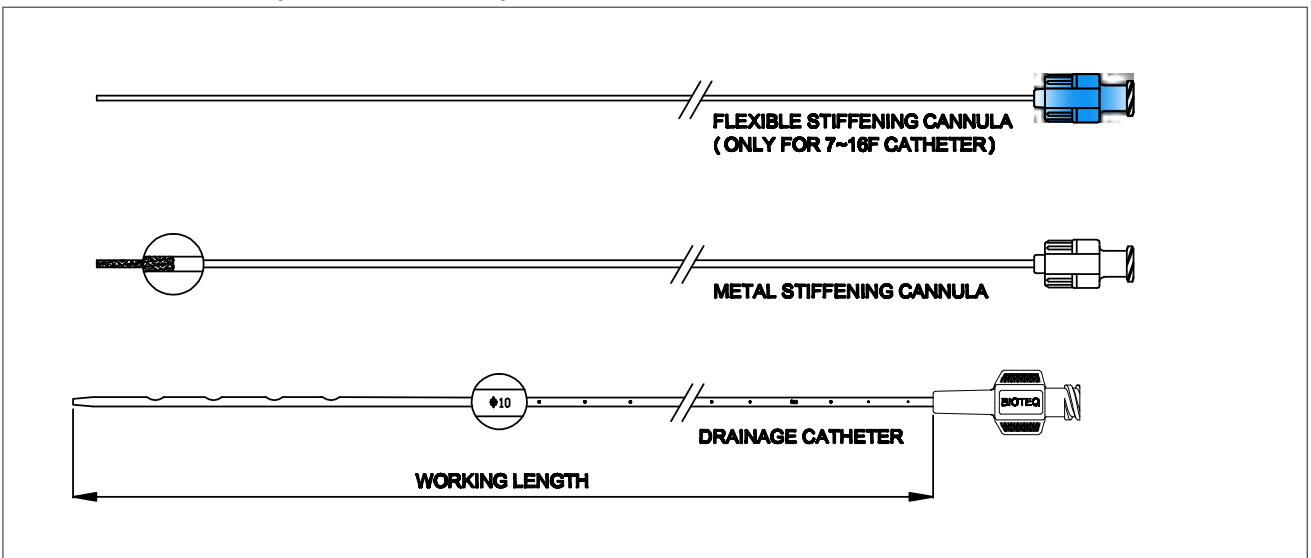
French Size	Order Number	Accepts Guide Wire Diameter	Working Length
5F	BT-PD0-05XX	.035 inch (0.89mm)	
6F	BT-PD0-06XX	.035 inch (0.89mm)	19 cm (XX=20)
7F	BT-PD0-07XX	.035 inch (0.89mm)	24 cm (XX=25)
8F	BT-PD0-08XX	.038 inch (0.97mm)	29 cm (XX=30)
9F	BT-PD0-09XX	.038 inch (0.97mm)	39 cm (XX=40)
10F	BT-PD0-10XX	.038 inch (0.97mm)	
12F	BT-PD0-12XX	.038 inch (0.97mm)	
14F	BT-PD0-14XX	.038 inch (0.97mm)	
16F	BT-PD0-16XX	.038 inch (0.97mm)	

DRAINAGE CATHETER SET-SELDINGER



- Used for abscess, and other multipurpose drainage.
- Catheter placement is performed using Seldinger technique.
- Hydrophilic coating decreased friction of the distal catheter facilitates easy insertion.
- Large oval drainage holes increase drainage capability.
- Supplied sterile in peel-open packages.
- Intended for one-time use.

STRAIGHT TYPE (BT-PD2-series)



Without SAFETY STRING LOCK

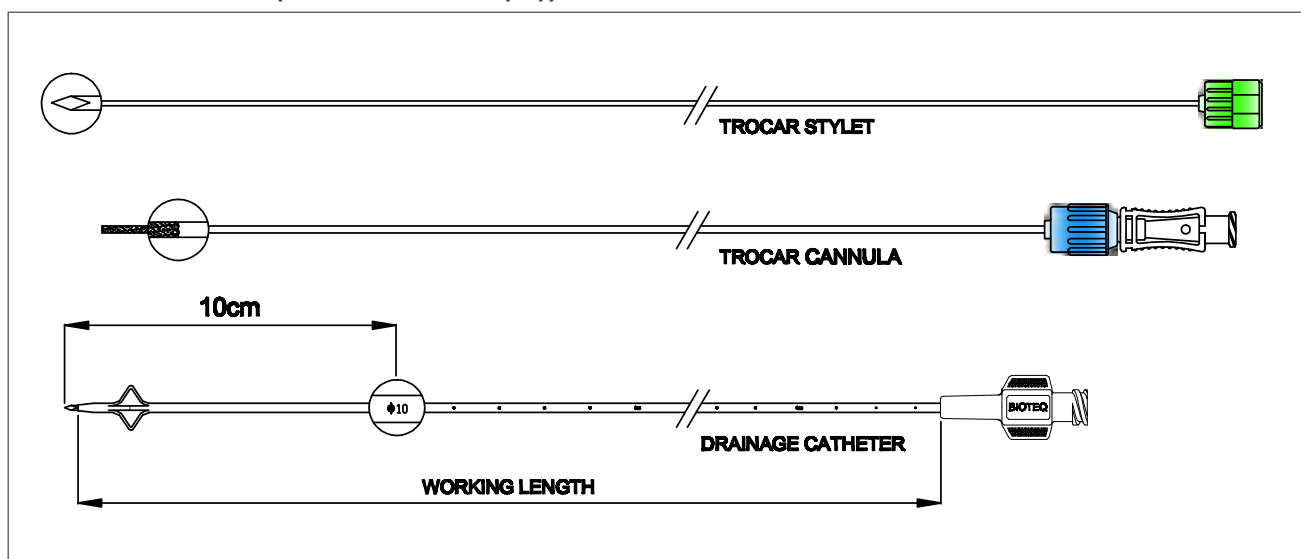
French Size	Order Number	Accepts Guide Wire Diameter	Working Length
5F	BT-PD2-05XX	.035 inch (0.89mm)	
6F	BT-PD2-06XX	.035 inch (0.89mm)	19 cm (XX=20)
7F	BT-PD2-07XX	.035 inch (0.89mm)	24 cm (XX=25)
8F	BT-PD2-08XX	.038 inch (0.97mm)	29 cm (XX=30)
9F	BT-PD2-09XX	.038 inch (0.97mm)	34 cm (XX=35)
10F	BT-PD2-10XX	.038 inch (0.97mm)	39 cm (XX=40)
12F	BT-PD2-12XX	.038 inch (0.97mm)	44 cm (XX=45)
14F	BT-PD2-14XX	.038 inch (0.97mm)	49 cm (XX=50)
16F	BT-PD2-16XX	.038 inch (0.97mm)	

DRAINAGE CATHETER SET-DIRECT ACCESS



- Used for abscess, and other multipurpose drainage.
- Catheter placement is performed using one step (direct access) technique.
- Hydrophilic coating decreased friction of the distal catheter facilitates easy insertion.
- Supplied sterile in peel-open packages.
- Intended for one-time use.

MALECOT TYPE (BT-PD1-series(M))



Without SAFETY STRING LOCK

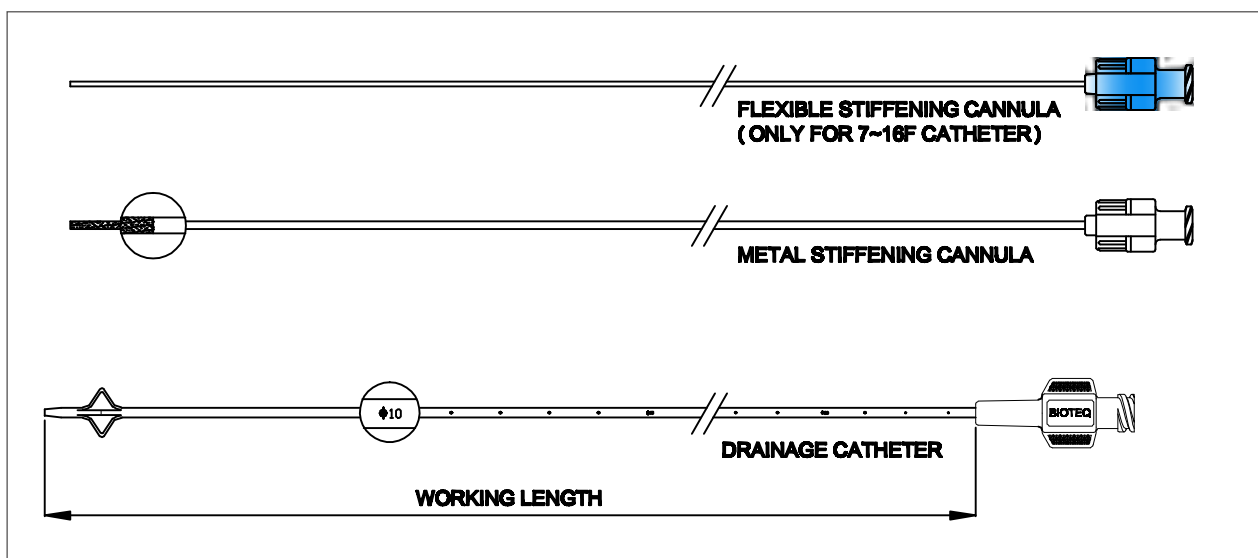
French Size	Order Number	Accepts Guide Wire Diameter	Working Length
6F	BT-PD1-06XX(M)	.035 inch (0.89mm)	
7F	BT-PD1-07XX(M)	.035 inch (0.89mm)	19 cm (XX=20)
8F	BT-PD1-08XX(M)	.038 inch (0.97mm)	24 cm (XX=25)
10F	BT-PD1-10XX(M)	.038 inch (0.97mm)	29 cm (XX=30)
12F	BT-PD1-12XX(M)	.038 inch (0.97mm)	39 cm (XX=40)
14F	BT-PD1-14XX(M)	.038 inch (0.97mm)	
16F	BT-PD1-16XX(M)	.038 inch (0.97mm)	

DRAINAGE CATHETER SET-SELDINGER



- Used for abscess, and other multipurpose drainage.
- Catheter placement is performed using Seldinger technique.
- Hydrophilic coating decreased friction of the distal catheter facilitates easy insertion.
- Supplied sterile in peel-open packages.
- Intended for one-time use.

MALECOT TYPE (BT-PDS-series(M))



Without SAFETY STRING LOCK

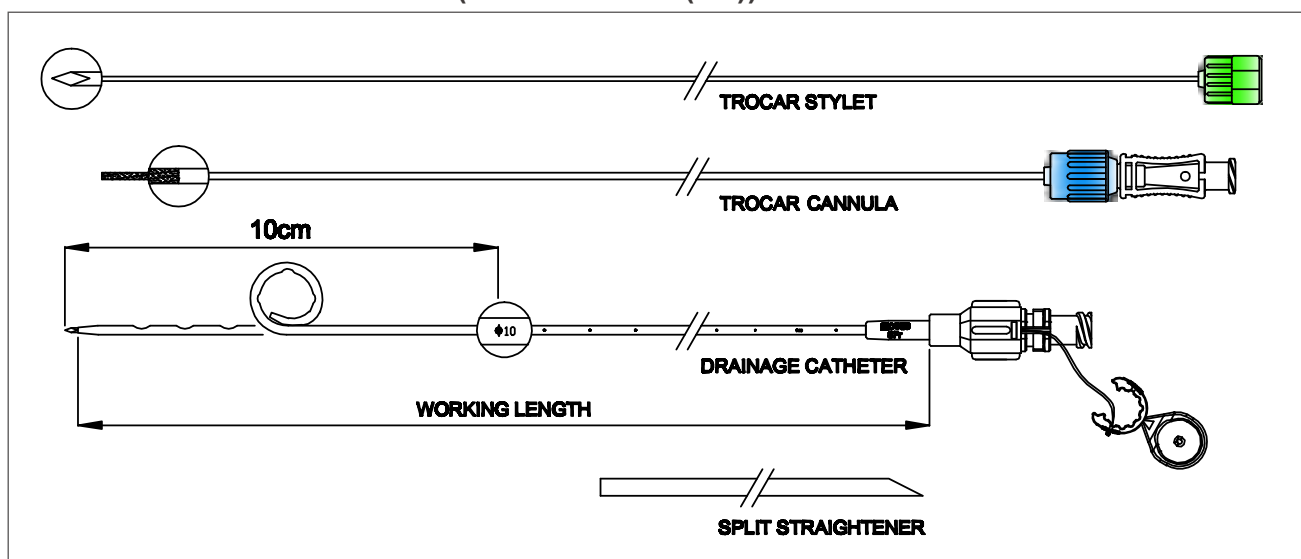
French Size	Order Number	Accepts Guide Wire Diameter	Working Length
6F	BT-PDS-06XX(M)	.035 inch (0.89mm)	19 cm (XX=20)
7F	BT-PDS-07XX(M)	.035 inch (0.89mm)	24 cm (XX=25)
8F	BT-PDS-08XX(M)	.038 inch (0.97mm)	29 cm (XX=30)
10F	BT-PDS-10XX(M)	.038 inch (0.97mm)	34 cm (XX=35)
12F	BT-PDS-12XX(M)	.038 inch (0.97mm)	39 cm (XX=40)
14F	BT-PDS-14XX(M)	.038 inch (0.97mm)	44 cm (XX=45)
16F	BT-PDS-16XX(M)	.038 inch (0.97mm)	49 cm (XX=50)

DRAINAGE CATHETER SET-DIRECT ACCESS



- Used for nephrostomy, abscess, and other multipurpose drainage.
- Catheter placement is performed using one step (direct access) technique.
- The safety string lock system provides strong fixation of the pigtail.
- Hydrophilic coating decreased friction of the distal catheter facilitates easy insertion.
- Large oval drainage holes increase drainage capability.
- Supplied sterile in peel-open packages.
- Intended for one-time use.

CLOSE LOOP PIGTAIL TYPE (BT-PD1-series(CL))



With SAFETY STRING LOCK

French Size	Order Number	Accepts Guide Wire Diameter	Working Length
6F	BT-PD1-06XX-W(CL)	.035 inch (0.89mm)	
7F	BT-PD1-07XX-W(CL)	.035 inch (0.89mm)	19 cm (XX=20)
8F	BT-PD1-08XX-W(CL)	.038 inch (0.97mm)	24 cm (XX=25)
9F	BT-PD1-09XX-W(CL)	.038 inch (0.97mm)	29 cm (XX=30)
10F	BT-PD1-10XX-W(CL)	.038 inch (0.97mm)	39 cm (XX=40)
12F	BT-PD1-12XX-W(CL)	.038 inch (0.97mm)	
14F	BT-PD1-14XX-W(CL)	.038 inch (0.97mm)	
16F	BT-PD1-16XX-W(CL)	.038 inch (0.97mm)	

Without SAFETY STRING LOCK

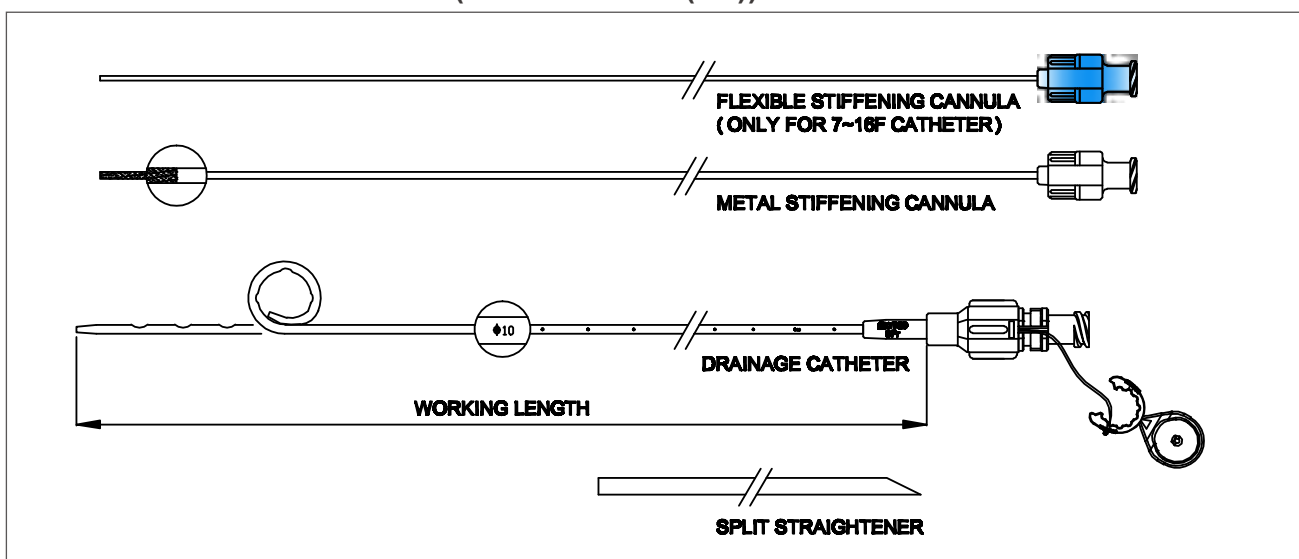
French Size	Order Number	Accepts Guide Wire Diameter	Working Length
5F	BT-PD1-05XX(CL)	.035 inch (0.89mm)	
6F	BT-PD1-06XX(CL)	.035 inch (0.89mm)	19 cm (XX=20)
7F	BT-PD1-07XX(CL)	.035 inch (0.89mm)	24 cm (XX=25)
8F	BT-PD1-08XX(CL)	.038 inch (0.97mm)	29 cm (XX=30)
9F	BT-PD1-09XX(CL)	.038 inch (0.97mm)	39 cm (XX=40)
10F	BT-PD1-10XX(CL)	.038 inch (0.97mm)	
12F	BT-PD1-12XX(CL)	.038 inch (0.97mm)	
14F	BT-PD1-14XX(CL)	.038 inch (0.97mm)	
16F	BT-PD1-16XX(CL)	.038 inch (0.97mm)	

DRAINAGE CATHETER SET-SELDINGER



- Used for nephrostomy, abscess, and other multipurpose drainage.
- Catheter placement is performed using Seldinger technique.
- The safety string lock system provides strong fixation of the pigtail.
- Hydrophilic coating decreased friction of the distal catheter facilitates easy insertion.
- Large oval drainage holes increase drainage capability.
- Supplied sterile in peel-open packages.
- Intended for one-time use.

CLOSE LOOP PIGTAIL TYPE (BT-PDS-series(CL))



With SAFETY STRING LOCK

French Size	Order Number	Accepts Guide Wire Diameter	Working Length
6F	BT-PDS-06XX-W(CL)	.035 inch (0.89mm)	
7F	BT-PDS-07XX-W(CL)	.035 inch (0.89mm)	19 cm (XX=20)
8F	BT-PDS-08XX-W(CL)	.038 inch (0.97mm)	24 cm (XX=25)
9F	BT-PDS-09XX-W(CL)	.038 inch (0.97mm)	29 cm (XX=30)
10F	BT-PDS-10XX-W(CL)	.038 inch (0.97mm)	39 cm (XX=40)
12F	BT-PDS-12XX-W(CL)	.038 inch (0.97mm)	44 cm (XX=45)
14F	BT-PDS-14XX-W(CL)	.038 inch (0.97mm)	49 cm (XX=50)
16F	BT-PDS-16XX-W(CL)	.038 inch (0.97mm)	

Without SAFETY STRING LOCK

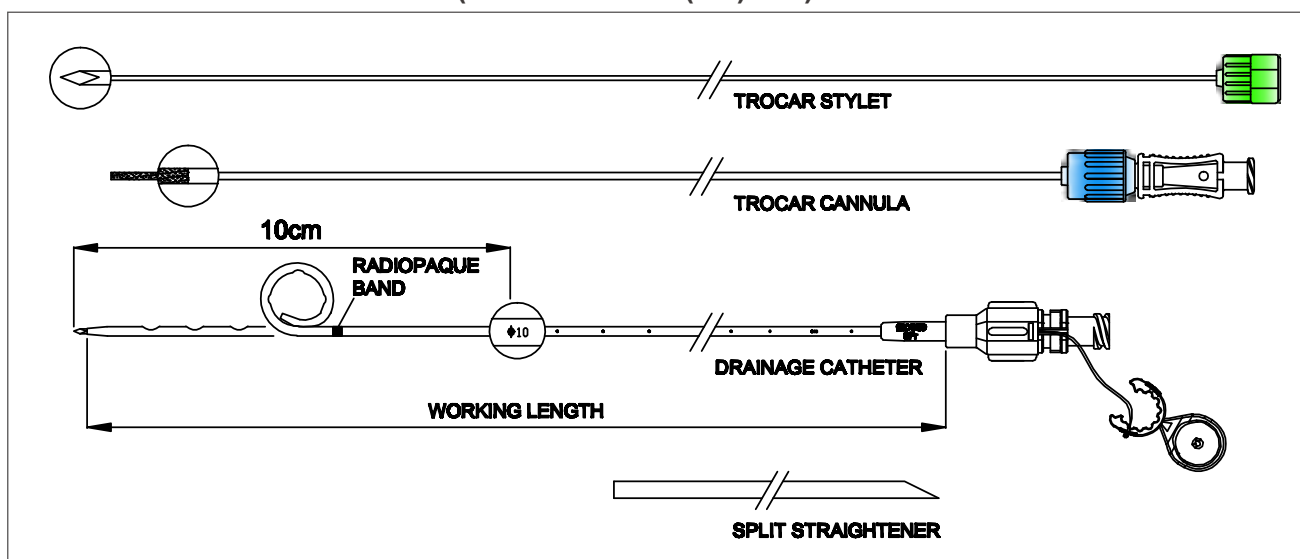
French Size	Order Number	Accepts Guide Wire Diameter	Working Length
5F	BT-PDS-05XX(CL)	.035 inch (0.89mm)	
6F	BT-PDS-06XX(CL)	.035 inch (0.89mm)	19 cm (XX=20)
7F	BT-PDS-07XX(CL)	.035 inch (0.89mm)	24 cm (XX=25)
8F	BT-PDS-08XX(CL)	.038 inch (0.97mm)	29 cm (XX=30)
9F	BT-PDS-09XX(CL)	.038 inch (0.97mm)	39 cm (XX=40)
10F	BT-PDS-10XX(CL)	.038 inch (0.97mm)	44 cm (XX=45)
12F	BT-PDS-12XX(CL)	.038 inch (0.97mm)	49 cm (XX=50)
14F	BT-PDS-14XX(CL)	.038 inch (0.97mm)	
16F	BT-PDS-16XX(CL)	.038 inch (0.97mm)	

DRAINAGE CATHETER SET-DIRECT ACCESS



- Used for nephrostomy, abscess, and other multipurpose drainage.
- Catheter placement is performed using one step (direct access) technique.
- The safety string lock system provides strong fixation of the pigtail.
- Hydrophilic coating decreased friction of the distal catheter facilitates easy insertion.
- Large oval drainage holes increase drainage capability.
- Radiopaque band aids in proper placement of the catheter.
- Supplied sterile in peel-open packages.

CLOSE LOOP PIGTAIL TYPE (BT-PD1-series(CL)-RB)



With SAFETY STRING LOCK

French Size	Order Number	Accepts Guide Wire Diameter	Working Length
6F	BT-PD1-06XX-W(CL)-RB	.035 inch (0.89mm)	
8F	BT-PD1-08XX-W(CL)-RB	.038 inch (0.97mm)	19 cm (XX=20)
10F	BT-PD1-10XX-W(CL)-RB	.038 inch (0.97mm)	24 cm (XX=25)
12F	BT-PD1-12XX-W(CL)-RB	.038 inch (0.97mm)	29 cm (XX=30)
14F	BT-PD1-14XX-W(CL)-RB	.038 inch (0.97mm)	39 cm (XX=40)

Without SAFETY STRING LOCK

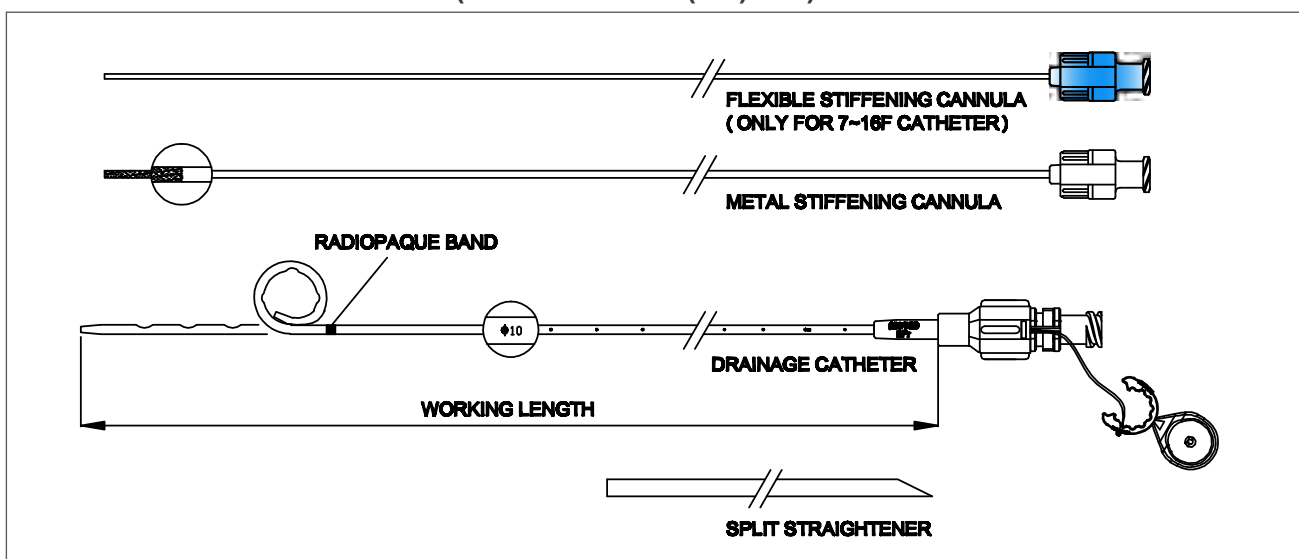
French Size	Order Number	Accepts Guide Wire Diameter	Working Length
6F	BT-PD1-06XX(CL)-RB	.035 inch (0.89mm)	
8F	BT-PD1-08XX(CL)-RB	.038 inch (0.97mm)	19 cm (XX=20)
10F	BT-PD1-10XX(CL)-RB	.038 inch (0.97mm)	24 cm (XX=25)
12F	BT-PD1-12XX(CL)-RB	.038 inch (0.97mm)	29 cm (XX=30)
14F	BT-PD1-14XX(CL)-RB	.038 inch (0.97mm)	39 cm (XX=40)

DRAINAGE CATHETER SET-SELDINGER



- Used for nephrostomy, abscess, and other multipurpose drainage.
- Catheter placement is performed using Seldinger technique.
- The safety string lock system provides strong fixation of the pigtail.
- Hydrophilic coating decreased friction of the distal catheter facilitates easy insertion.
- Large oval drainage holes increase drainage capability.
- Radiopaque band aids in proper placement of the catheter.
- Supplied sterile in peel-open packages.

CLOSE LOOP PIGTAIL TYPE (BT-PDS-series(CL)-RB)



With SAFETY STRING LOCK

French Size	Order Number	Accepts Guide Wire Diameter	Working Length
6F	BT-PDS-06XX-W(CL)-RB	.035 inch (0.89mm)	19 cm (XX=20)
8F	BT-PDS-08XX-W(CL)-RB	.038 inch (0.97mm)	24 cm (XX=25)
10F	BT-PDS-10XX-W(CL)-RB	.038 inch (0.97mm)	29 cm (XX=30)
12F	BT-PDS-12XX-W(CL)-RB	.038 inch (0.97mm)	39 cm (XX=40)
14F	BT-PDS-14XX-W(CL)-RB	.038 inch (0.97mm)	44 cm (XX=45) 49 cm (XX=50)

Without SAFETY STRING LOCK

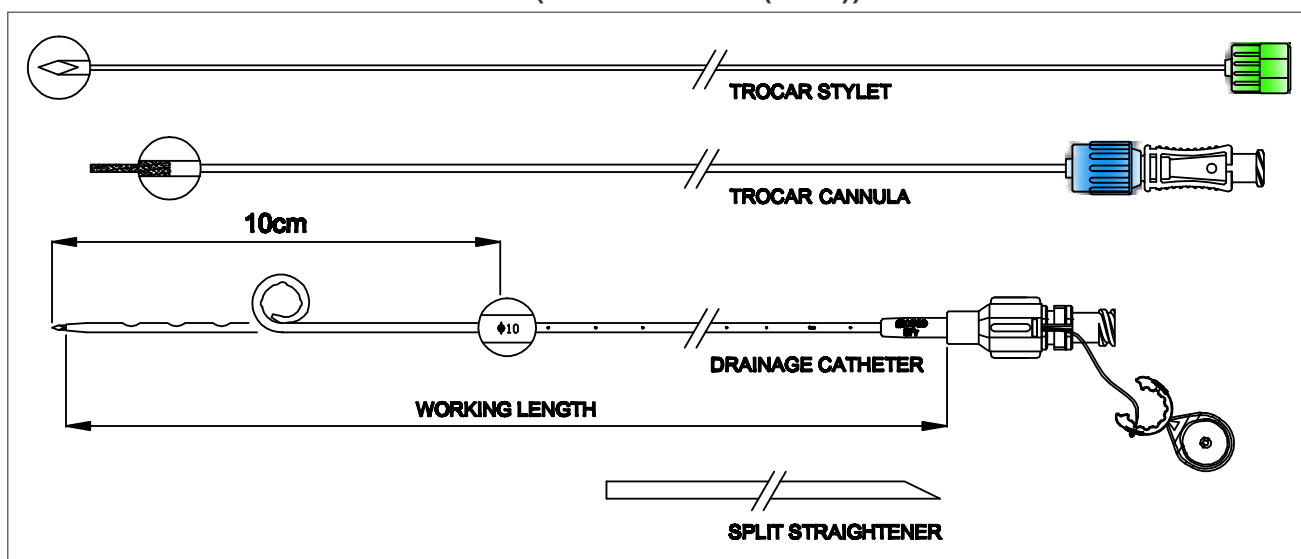
French Size	Order Number	Accepts Guide Wire Diameter	Working Length
6F	BT-PDS-06XX(CL)-RB	.035 inch (0.89mm)	19 cm (XX=20)
8F	BT-PDS-08XX(CL)-RB	.038 inch (0.97mm)	24 cm (XX=25)
10F	BT-PDS-10XX(CL)-RB	.038 inch (0.97mm)	29 cm (XX=30)
12F	BT-PDS-12XX(CL)-RB	.038 inch (0.97mm)	39 cm (XX=40)
14F	BT-PDS-14XX(CL)-RB	.038 inch (0.97mm)	44 cm (XX=45) 49 cm (XX=50)

DRAINAGE CATHETER SET-DIRECT ACCESS



- Used for the early stage of nephrostomy, abscess, and other multipurpose drainage, loopsize is smaller than regular pigtail type.
- Catheter placement is performed using one step (direct access) technique.
- The safety string lock system provides strong fixation of the pigtail.
- Hydrophilic coating decreased friction of the distal catheter facilitates easy insertion.
- Large oval drainage holes increase drainage capability.
- Supplied sterile in peel-open packages and for one time use.

MINI-CLOSE LOOP PIGTAIL TYPE (BT-PD1-series(MCL))



With SAFETY STRING LOCK

French Size	Order Number	Accepts Guide Wire Diameter	Working Length
6F	BT-PD1-06XX-W(MCL)	.035 inch (0.89mm)	19cm (XX=20)
7F	BT-PD1-07XX-W(MCL)	.035 inch (0.89mm)	24cm (XX=25)
8F	BT-PD1-08XX-W(MCL)	.038 inch (0.97mm)	29cm (XX=30)
10F	BT-PD1-10XX-W(MCL)	.038 inch (0.97mm)	39cm (XX=40)

Without SAFETY STRING LOCK

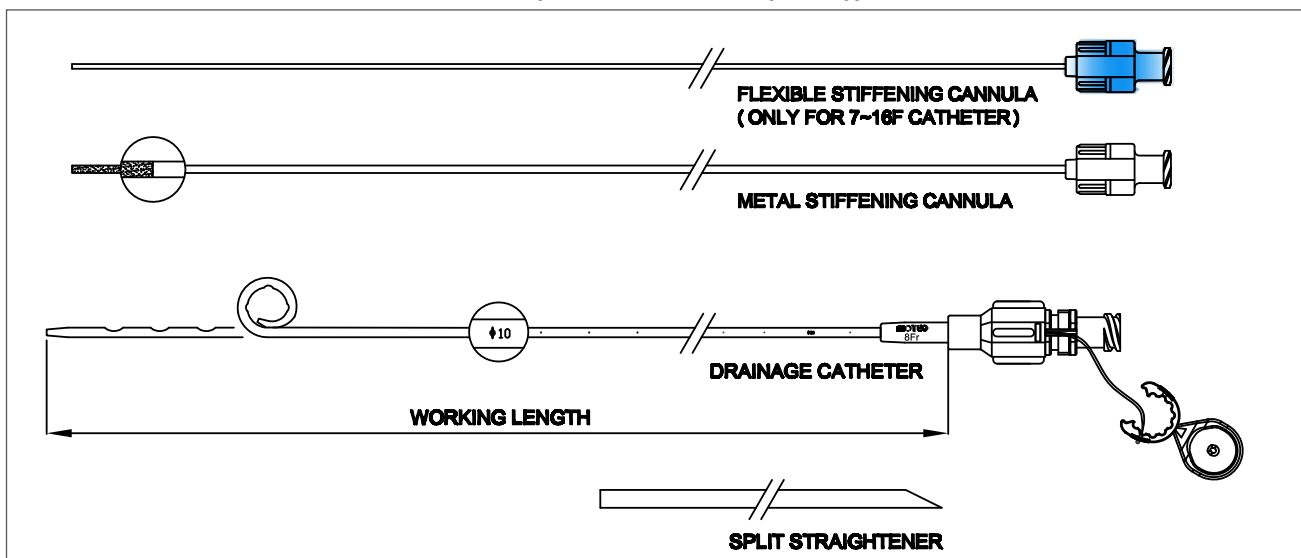
French Size	Order Number	Accepts Guide Wire Diameter	Working Length
5F	BT-PD1-05XX(MCL)	.035 inch (0.89mm)	
6F	BT-PD1-06XX(MCL)	.035 inch (0.89mm)	19cm (XX=20)
7F	BT-PD1-07XX(MCL)	.035 inch (0.89mm)	24cm (XX=25)
8F	BT-PD1-08XX(MCL)	.038 inch (0.97mm)	29cm (XX=30)
10F	BT-PD1-10XX(MCL)	.038 inch (0.97mm)	39cm (XX=40)

DRAINAGE CATHETER SET-SELDINGER



- Used for the early stage of nephrostomy, abscess, and other multipurpose drainage, loopsize is smaller than regular pigtail type.
- Catheter placement is performed using Seldinger technique.
- The safety string lock system provides strong fixation of the pigtail.
- Hydrophilic coating decreased friction of the distal catheter facilitates easy insertion.
- Large oval drainage holes increase drainage capability.
- Supplied sterile in peel-open packages and for one time use.

MINI-CLOSE LOOP PIGTAIL TYPE (BT-PDS-series(MCL))



With SAFETY STRING LOCK

French Size	Order Number	Accepts Guide Wire Diameter	Working Length
6F	BT-PDS-06XX-W(MCL)	.035 inch (0.89mm)	19cm (XX=20)
7F	BT-PDS-07XX-W(MCL)	.035 inch (0.89mm)	24cm (XX=25)
8F	BT-PDS-08XX-W(MCL)	.038 inch (0.97mm)	29cm (XX=30)
10F	BT-PDS-10XX-W(MCL)	.038 inch (0.97mm)	39cm (XX=40)

Without SAFETY STRING LOCK

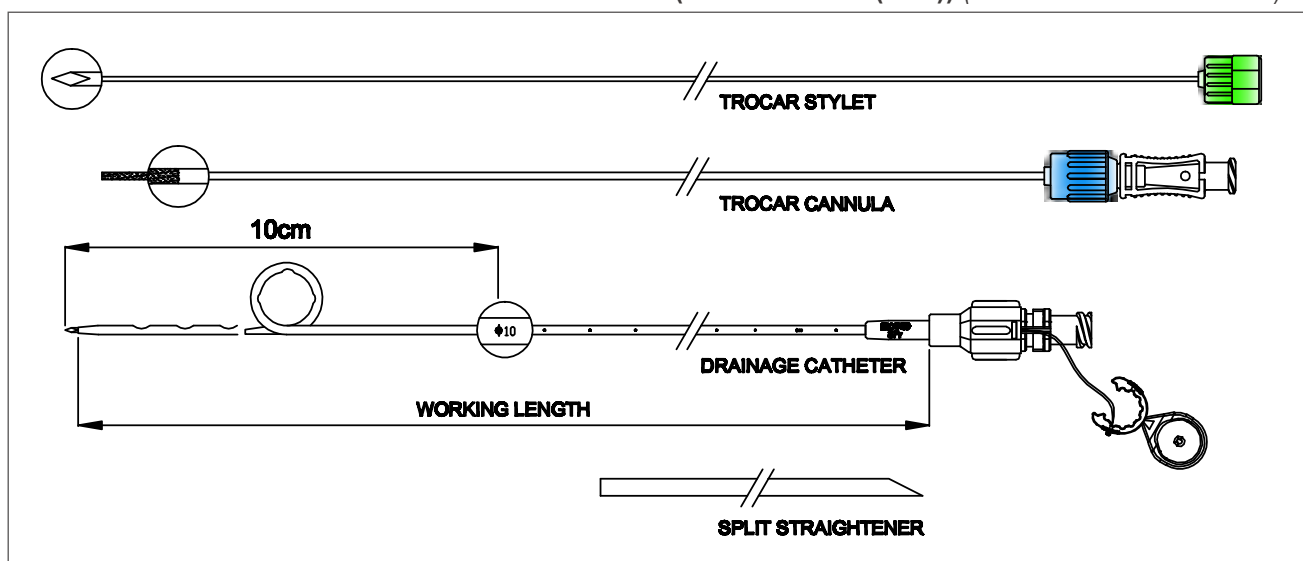
French Size	Order Number	Accepts Guide Wire Diameter	Working Length
5F	BT-PDS-05XX(MCL)	.035 inch (0.89mm)	
6F	BT-PDS-06XX(MCL)	.035 inch (0.89mm)	19cm (XX=20)
7F	BT-PDS-07XX(MCL)	.035 inch (0.89mm)	24cm (XX=25)
8F	BT-PDS-08XX(MCL)	.038 inch (0.97mm)	29cm (XX=30)
10F	BT-PDS-10XX(MCL)	.038 inch (0.97mm)	39cm (XX=40)

DRAINAGE CATHETER SET-DIRECT ACCESS



- Used for Ethanol Sclerotherapy for 2 hours maximum.
- Catheter placement is performed using one step (direct access) technique.
- The safety string lock system provides strong fixation of the pigtail.
- Hydrophilic coating decreased friction of the distal catheter facilitates easy insertion.
- Large oval drainage holes increase drainage capability.
- Supplied sterile in peel-open packages.
- Intended for one-time use.

PIGTAIL TYPE FOR ETHANOL SCLEROTHERAPY(BT-PD1-series(ETL)) (used for Ethanol Environment)



With SAFETY STRING LOCK

French Size	Order Number	Accepts Guide Wire Diameter	Working Length
6F	BT-PD1-06XX-W(ETL)	.035 inch (0.89mm)	
7F	BT-PD1-07XX-W(ETL)	.035 inch (0.89mm)	19cm (XX=20)
8F	BT-PD1-08XX-W(ETL)	.038 inch (0.97mm)	24cm (XX=25)
9F	BT-PD1-09XX-W(ETL)	.038 inch (0.97mm)	29cm (XX=30)
10F	BT-PD1-10XX-W(ETL)	.038 inch (0.97mm)	39cm (XX=40)

Without SAFETY STRING LOCK

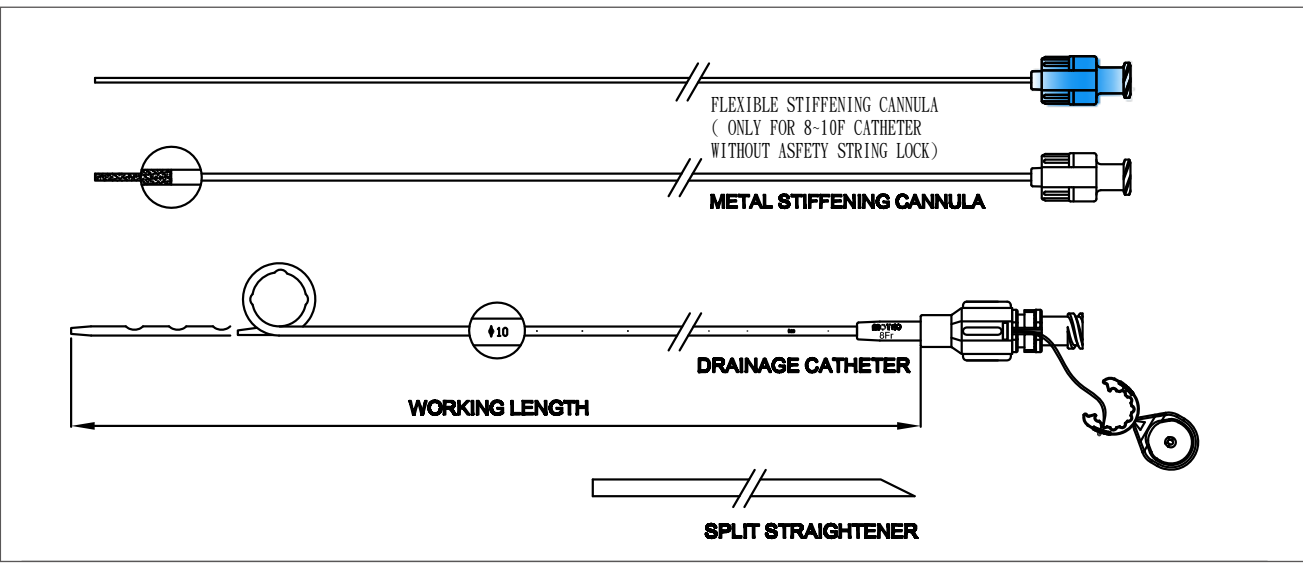
French Size	Order Number	Accepts Guide Wire Diameter	Working Length
5F	BT-PD1-05XX(ETL)	.035 inch (0.89mm)	
6F	BT-PD1-06XX(ETL)	.035 inch (0.89mm)	19cm (XX=20)
7F	BT-PD1-07XX(ETL)	.035 inch (0.89mm)	24cm (XX=25)
8F	BT-PD1-08XX(ETL)	.038 inch (0.97mm)	29cm (XX=30)
9F	BT-PD1-09XX(ETL)	.038 inch (0.97mm)	39cm (XX=40)
10F	BT-PD1-10XX(ETL)	.038 inch (0.97mm)	

DRAINAGE CATHETER SET-SELDINGER



- Used for Ethanol Sclerotherapy for 2 hours maximum.
- Catheter placement is performed using Seldinger technique.
- The safety string lock system provides strong fixation of the pigtail.
- Hydrophilic coating decreased friction of the distal catheter facilitates easy insertion.
- Large oval drainage holes increase drainage capability.
- Supplied sterile in peel-open packages.
- Intended for one-time use.

PIGTAIL TYPE FOR ETHANOL SCLEROTHERAPY(BT-PDS-series(ETL)) (used for Ethanol Environment)



With SAFETY STRING LOCK

French Size	Order Number	Accepts Guide Wire Diameter	Working Length
6F	BT-PDS-06XX-W(ETL)	.035 inch (0.89mm)	
7F	BT-PDS-07XX-W(ETL)	.035 inch (0.89mm)	19cm (XX=20)
8F	BT-PDS-08XX-W(ETL)	.038 inch (0.97mm)	24cm (XX=25)
9F	BT-PDS-09XX-W(ETL)	.038 inch (0.97mm)	29cm (XX=30)
10F	BT-PDS-10XX-W(ETL)	.038 inch (0.97mm)	39cm (XX=40)

Without SAFETY STRING LOCK

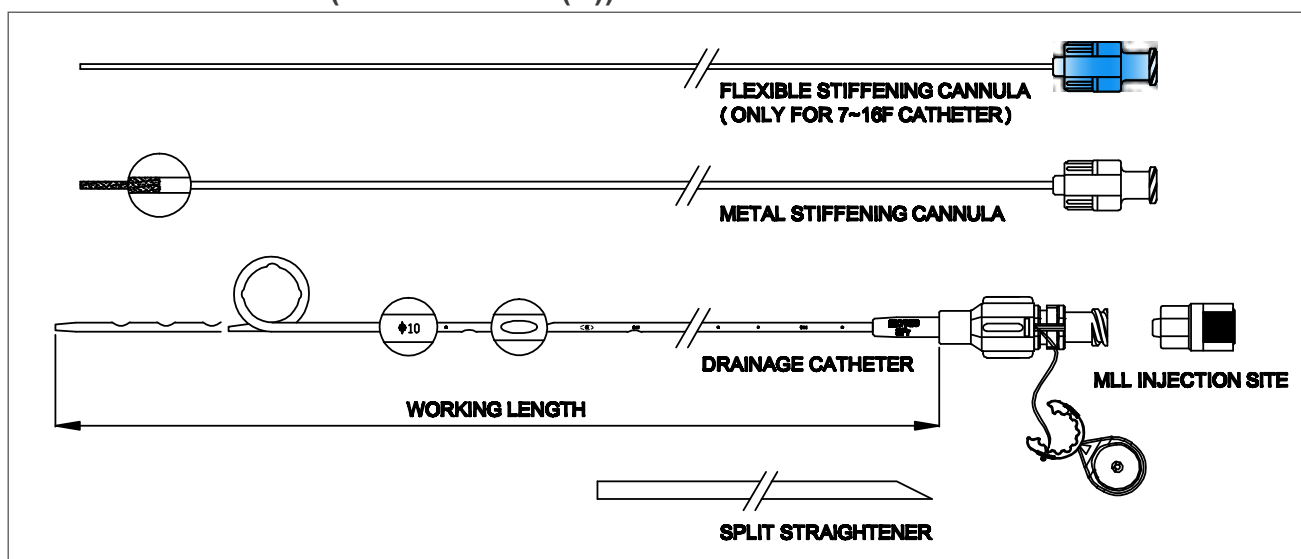
French Size	Order Number	Accepts Guide Wire Diameter	Working Length
5F	BT-PDS-05XX(ETL)	.035 inch (0.89mm)	
6F	BT-PDS-06XX(ETL)	.035 inch (0.89mm)	19cm (XX=20)
7F	BT-PDS-07XX(ETL)	.035 inch (0.89mm)	24cm (XX=25)
8F	BT-PDS-08XX(ETL)	.038 inch (0.97mm)	29cm (XX=30)
9F	BT-PDS-09XX(ETL)	.038 inch (0.97mm)	39cm (XX=40)
10F	BT-PDS-10XX(ETL)	.038 inch (0.97mm)	

DRAINAGE CATHETER SET-SELDINGER



- Used for biliary drainage.
- Catheter placement is performed using Seldinger technique.
- The safety string lock system provides strong fixation of the pigtail.
- Hydrophilic coating decreased friction of the distal catheter facilitates easy insertion.
- Supplied sterile in peel-open packages.
- Intended for one-time use.

BILIARY CATHETER (BT-PDS-series(B))



With SAFETY STRING LOCK

French Size	Order Number	Accepts Guide Wire Diameter	Working Length
6F	BT-PDS-06XX-W(B)	.035 inch (0.89mm)	
7F	BT-PDS-07XX-W(B)	.035 inch (0.89mm)	
8F	BT-PDS-08XX-W(B)	.038 inch (0.97mm)	24 cm (XX=25)
10F	BT-PDS-10XX-W(B)	.038 inch (0.97mm)	29 cm (XX=30)
12F	BT-PDS-12XX-W(B)	.038 inch (0.97mm)	39 cm (XX=40)
14F	BT-PDS-14XX-W(B)	.038 inch (0.97mm)	49 cm (XX=50)

Without SAFETY STRING LOCK

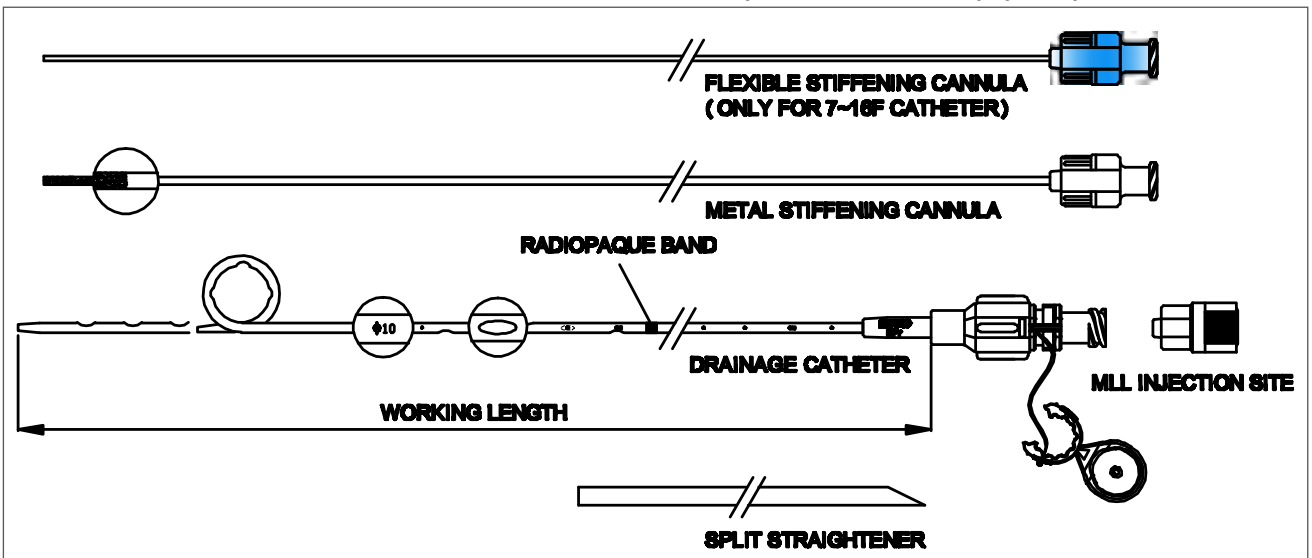
French Size	Order Number	Accepts Guide Wire Diameter	Working Length
6F	BT-PDS-06XX(B)	.035 inch (0.89mm)	
7F	BT-PDS-07XX(B)	.035 inch (0.89mm)	
8F	BT-PDS-08XX(B)	.038 inch (0.97mm)	24 cm (XX=25)
10F	BT-PDS-10XX(B)	.038 inch (0.97mm)	29 cm (XX=30)
12F	BT-PDS-12XX(B)	.038 inch (0.97mm)	39 cm (XX=40)
14F	BT-PDS-14XX(B)	.038 inch (0.97mm)	49 cm (XX=50)

DRAINAGE CATHETER SET-SELDINGER



- Used for biliary drainage.
- Catheter placement is performed using Seldinger technique.
- The radiopaque band facilitates positioning.
- The safety string lock system provides strong fixation of the pigtail.
- Hydrophilic coating decreased friction of the distal catheter facilitates easy insertion.
- Supplied sterile in peel-open packages.
- Intended for one-time use.

BILIARY CATHETER WITH RADIOPAQUE BAND (BT-PDS-series(B)-RB)



With SAFETY STRING LOCK

French Size	Order Number	Accepts Guide Wire Diameter	Working Length
6F	BT-PDS-06XX-W(B)-RB	.035 inch (0.89mm)	
8F	BT-PDS-08XX-W(B)-RB	.038 inch (0.97mm)	24 cm (XX=25)
10F	BT-PDS-10XX-W(B)-RB	.038 inch (0.97mm)	29 cm (XX=30)
12F	BT-PDS-12XX-W(B)-RB	.038 inch (0.97mm)	34 cm (XX=35)
14F	BT-PDS-14XX-W(B)-RB	.038 inch (0.97mm)	39 cm (XX=40) 44 cm (XX=45) 49 cm (XX=50)

Without SAFETY STRING LOCK

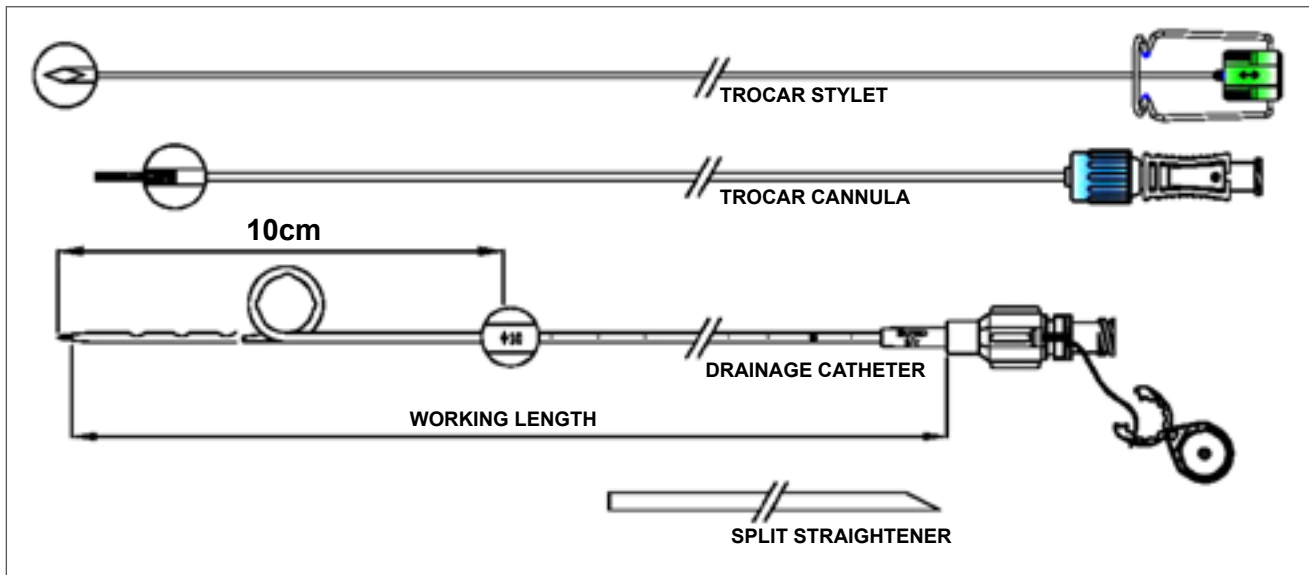
French Size	Order Number	Accepts Guide Wire Diameter	Working Length
6F	BT-PDS-06XX(B)-RB	.035 inch (0.89mm)	
8F	BT-PDS-08XX(B)-RB	.038 inch (0.97mm)	24 cm (XX=25)
10F	BT-PDS-10XX(B)-RB	.038 inch (0.97mm)	29 cm (XX=30)
12F	BT-PDS-12XX(B)-RB	.038 inch (0.97mm)	34 cm (XX=35)
14F	BT-PDS-14XX(B)-RB	.038 inch (0.97mm)	39 cm (XX=40) 44 cm (XX=45) 49 cm (XX=50)

DRAINAGE CATHETER WITH SNAP-LOCK PUNCTURE NEEDLE



- Used for nephrostomy, abscess, and other multipurpose drainage.
- Catheter placement is performed using one step technique.
- The safety string lock system provides strong fixation of the pigtail.
- Hydrophilic decreased friction of the distal catheter for easy insertion.
- Large oval drainage holes increase drainage capability.
- Supplied sterile in peel-open packages.
- Intended for one-time use.
- Easy one handed operation allows clinican to hold precisely

CATHETER SET WITH SNAP-LOCK PUNCTURE NEEDLE (BT-PD1-SERIES-SHN)



Product Code

Straight tip: BT-PD0-XXYY-SHN

Pigtail & other tips: BT-PD1-XXYY-W(V)-SHN

XX = 05, 06, 07, 08, 09, 10, 12, 14, 16 FR.

YY = 20, 25, 30, 40

W= With string lock

V= Catheter tip designation

Contents:

Drainage catheter x 1 pc,

Snap-Lock Puncture Needle x 1pc



Straight type



Pigtail type



(V)=(J)
Curved type



(V)=(MN)
Mini-pigtail type



(V)=(M)
Malecot type



(V)=(CL)
Closed loop
pigtail type



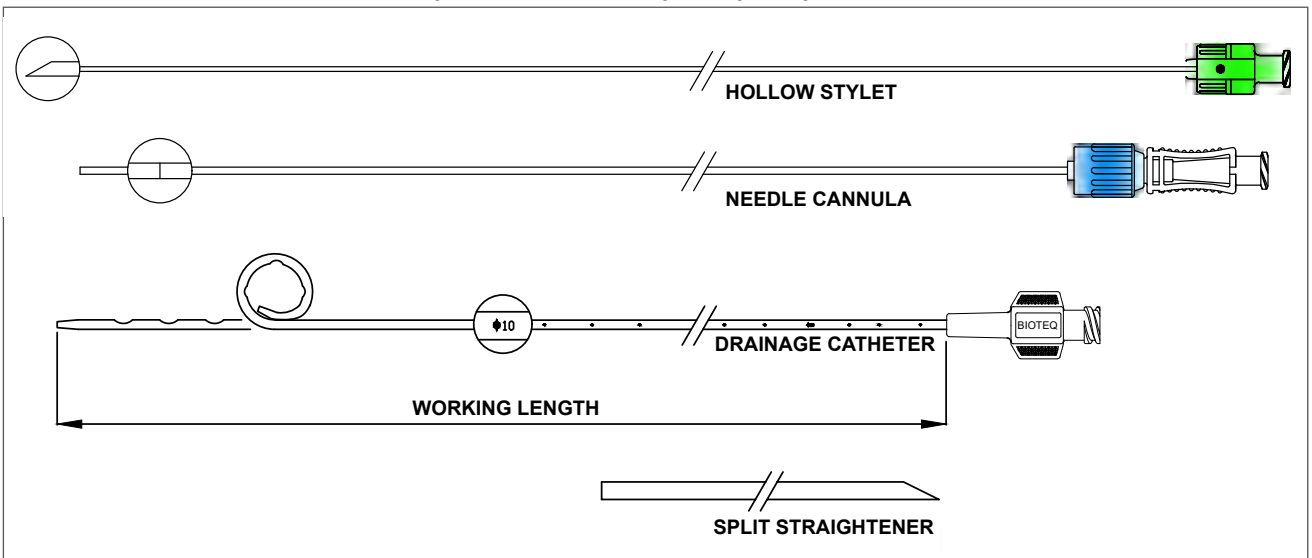
(V)=(MCL)
Mini Closed loop
pigtail type

DRAINAGE CATHETER-CENTESIS CATHETER



- Used for small abscess fluid aspiration and short term drainage procedures.
- Catheter placement is performed using one step (direct access) technique.

CENTESIS CATHETER SET (BT-PD1-series(MCL)-HS)



With SAFETY STRING LOCK

French Size	Order Number	Accepts Guide Wire Diameter	Working Length
6F	BT-PD1-06XX-W(MCL)-HS	0.35"inch (0.89mm)	19cm(XX=20)
7F	BT-PD1-07XX-W(MCL)-HS	0.35"inch(0.89mm)	24cm(XX=25)
8F	BT-PD1-08XX-W(MCL)-HS	0.38"inch(0.97mm)	29cm(XX=30)
10F	BT-PD1-10XX-W(MCL)-HS	0.38"inch(0.97mm)	39cm(XX=40)

Without SAFETY STRING LOCK

French Size	Order Number	Accepts Guide Wire Diameter	Working Length
5F	BT-PD1-05XX(MCL)-HS	0.35"inch (0.89mm)	
6F	BT-PD1-06XX(MCL)-HS	0.35"inch (0.89mm)	19cm(XX=20)
7F	BT-PD1-07XX(MCL)-HS	0.35"inch (0.89mm)	24cm(XX=25)
8F	BT-PD1-08XX(MCL)-HS	0.38"inch(0.97mm)	29cm(XX=30)
10F	BT-PD1-10XX(MCL)-HS	0.38"inch(0.97mm)	39cm(XX=40)

DRAINAGE CATHETER ONLY



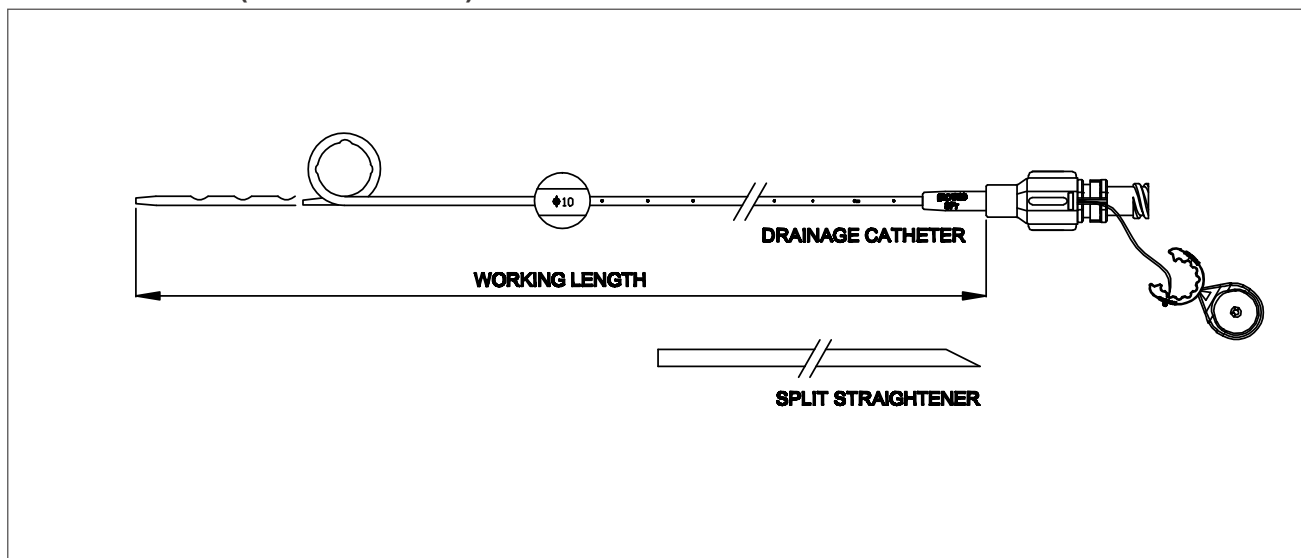


DRAINAGE CATHETER-PIGTAIL TYPE



- Used for nephrostomy, abscess, and other multipurpose drainage.
- The safety string lock system provides strong fixation of the pigtail.
- Hydrophilic decreased friction of the distal catheter for easy insertion.
- Large oval drainage holes increase drainage capability.
- Supplied sterile in peel-open packages.
- Intended for one-time use.

PIGTAIL TYPE (BT-PD4-series)



With SAFETY STRING LOCK

French Size	Order Number	Accepts Guide Wire Diameter	Working Length
6F	BT-PD4-06XX-W	.035 inch (0.89mm)	
7F	BT-PD4-07XX-W	.035 inch(0.89mm)	19 cm (XX=20)
8F	BT-PD4-08XX-W	.038 inch(0.97mm)	24 cm (XX=25)
9F	BT-PD4-09XX-W	.038 inch(0.97mm)	29 cm (XX=30)
10F	BT-PD4-10XX-W	.038 inch(0.97mm)	34 cm (XX=35)
12F	BT-PD4-12XX-W	.038 inch(0.97mm)	39 cm (XX=40)
14F	BT-PD4-14XX-W	.038 inch(0.97mm)	44 cm (XX=45)
16F	BT-PD4-16XX-W	.038 inch(0.97mm)	49 cm (XX=50)

Without SAFETY STRING LOCK

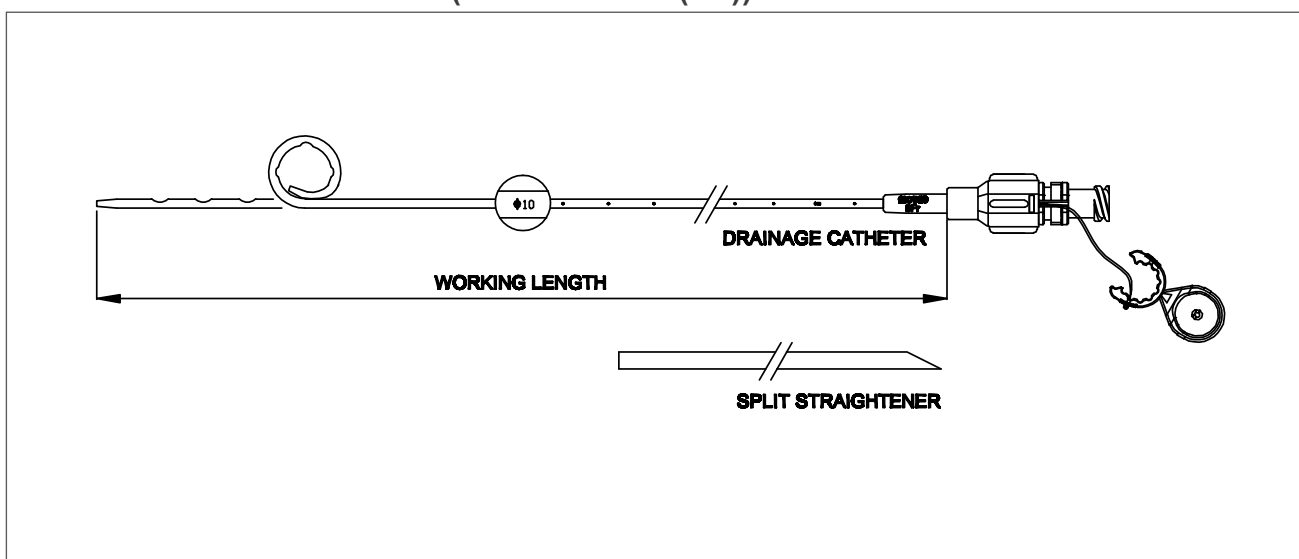
French Size	Order Number	Accepts Guide Wire Diameter	Working Length
5F	BT-PD4-05XX	.035 inch (0.89mm)	
6F	BT-PD4-06XX	.035 inch (0.89mm)	19 cm (XX=20)
7F	BT-PD4-07XX	.035 inch (0.89mm)	24 cm (XX=25)
8F	BT-PD4-08XX	.038 inch (0.97mm)	29 cm (XX=30)
9F	BT-PD4-09XX	.038 inch (0.97mm)	34 cm (XX=35)
10F	BT-PD4-10XX	.038 inch (0.97mm)	39 cm (XX=40)
12F	BT-PD4-12XX	.038 inch (0.97mm)	44 cm (XX=45)
14F	BT-PD4-14XX	.038 inch (0.97mm)	49 cm (XX=50)
16F	BT-PD4-16XX	.038 inch (0.97mm)	

DRAINAGE CATHETER-CLOSED LOOP PIGTAIL TYPE



- Used for nephrostomy, abscess, and other multipurpose drainage.
- The safety string lock system provides strong fixation of the pigtail.
- Hydrophilic decreased friction of the distal catheter for easy insertion.
- Large oval drainage holes increase drainage capability.
- Supplied sterile in peel-open packages.
- Intended for one-time use.

CLOSE LOOP PIGTAIL TYPE (BT-PD4-series(CL))



With SAFETY STRING LOCK

French Size	Order Number	Accepts Guide Wire Diameter	Working Length
6F	BT-PD4-06XX-W(CL)	.035 inch (0.89mm)	
7F	BT-PD4-07XX-W(CL)	.035 inch(0.89mm)	19 cm (XX=20)
8F	BT-PD4-08XX-W(CL)	.038 inch(0.97mm)	24 cm (XX=25)
9F	BT-PD4-09XX-W(CL)	.038 inch(0.97mm)	29 cm (XX=30)
10F	BT-PD4-10XX-W(CL)	.038 inch(0.97mm)	34 cm (XX=35)
12F	BT-PD4-12XX-W(CL)	.038 inch(0.97mm)	39 cm (XX=40)
14F	BT-PD4-14XX-W(CL)	.038 inch(0.97mm)	44 cm (XX=45)
16F	BT-PD4-16XX-W(CL)	.038 inch(0.97mm)	49 cm (XX=50)

Without SAFETY STRING LOCK

French Size	Order Number	Accepts Guide Wire Diameter	Working Length
5F	BT-PD4-05XX(CL)	.035 inch (0.89mm)	
6F	BT-PD4-06XX(CL)	.035 inch (0.89mm)	19 cm (XX=20)
7F	BT-PD4-07XX(CL)	.035 inch (0.89mm)	24 cm (XX=25)
8F	BT-PD4-08XX(CL)	.038 inch (0.97mm)	29 cm (XX=30)
9F	BT-PD4-09XX(CL)	.038 inch (0.97mm)	34 cm (XX=35)
10F	BT-PD4-10XX(CL)	.038 inch (0.97mm)	39 cm (XX=40)
12F	BT-PD4-12XX(CL)	.038 inch (0.97mm)	44 cm (XX=45)
14F	BT-PD4-14XX(CL)	.038 inch (0.97mm)	49 cm (XX=50)
16F	BT-PD4-16XX(CL)	.038 inch (0.97mm)	

ACCESSORIES

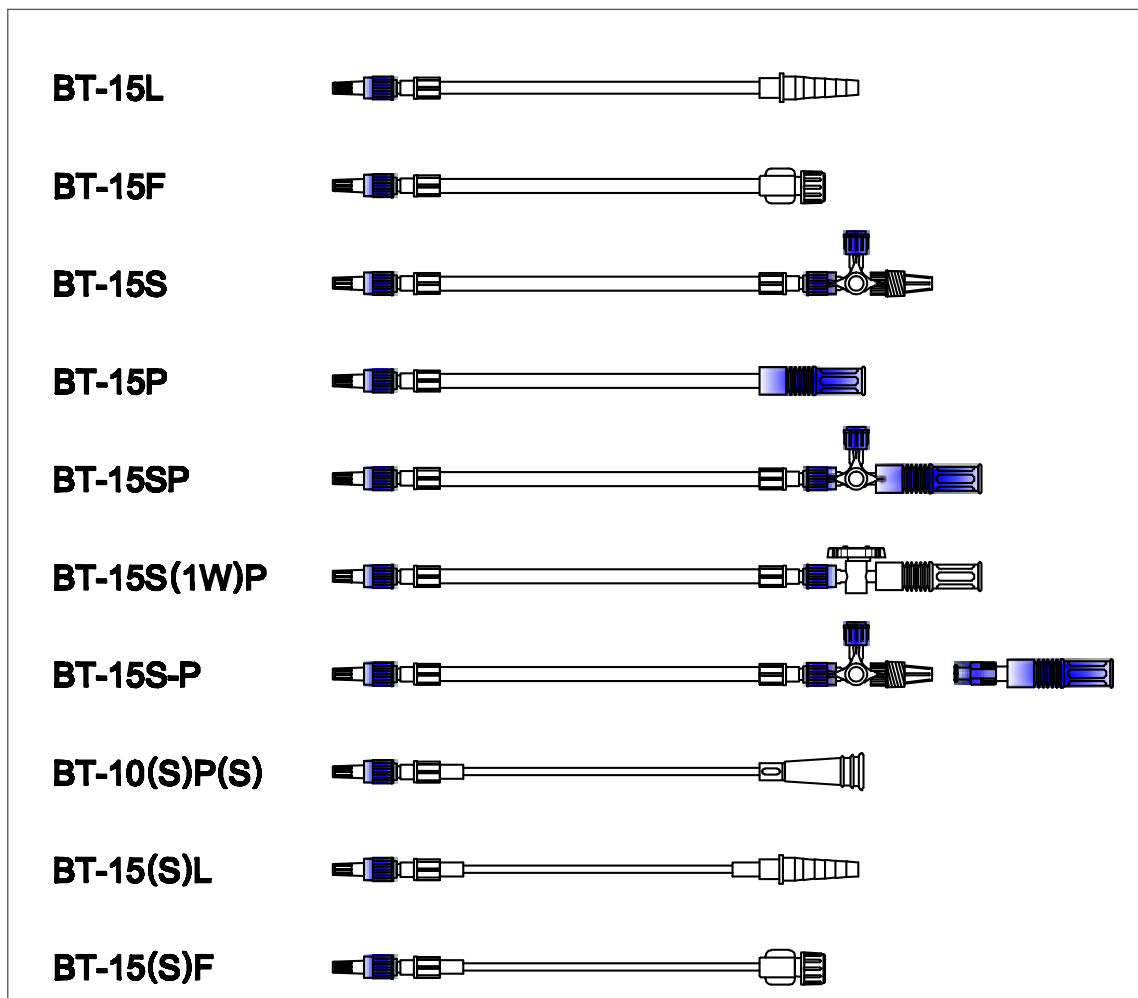




PERCUTANEOUS DRAINAGE- ACCESSORIES

- Supplied sterile in peel-open packages.
- Intended for one-time use.

CONNECTING TUBE

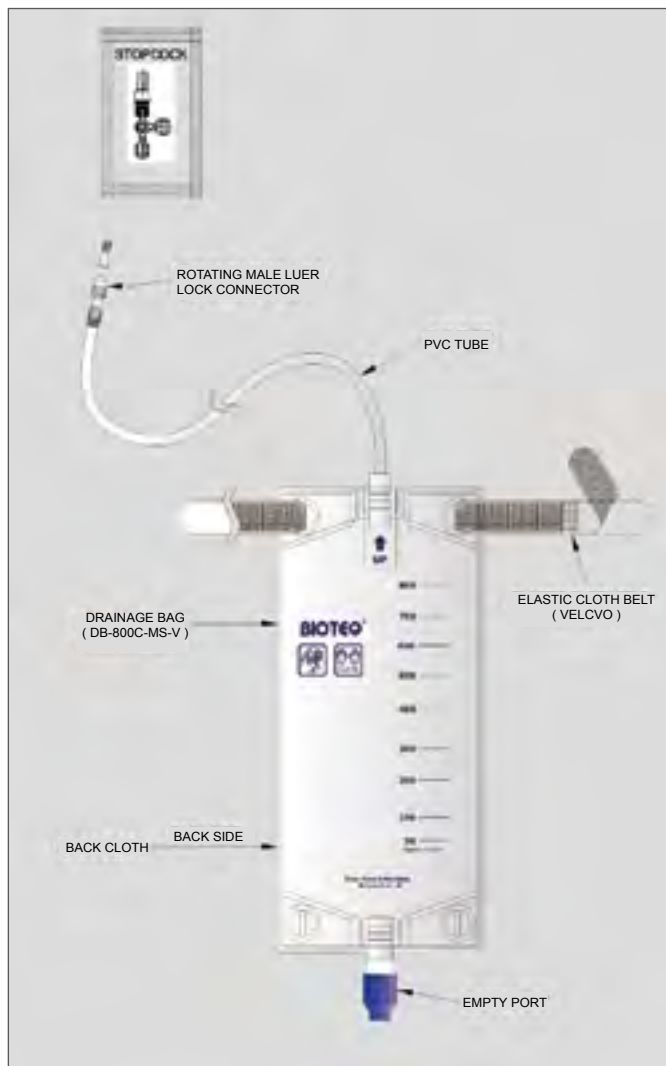


Order Number	Product Code	Description
BT-15S	CT-DB-M15S(M)	Male Luer Lock-Tube(15cm)-Stopcock(Male)
BT-15P	CT-DB-M15Fu	Male Luer Lock-Tube(15cm)-Funnel
BT-05P	CT-DB-M05	Male Luer Lock-Tube(5cm)-Funnel
BT-15SP	CT-DB-M15SFu	Male Luer Lock-Tube(15cm)-Stopcock-Funnel
BT-25SP	CT-DB-M25SFu	Male Luer Lock-Tube(25cm)-Stopcock-Funnel
BT-30SP	CT-DB-M30SFu	Male Luer Lock-Tube(30cm)-Stopcock-Funnel
BT-15S-P	CT-DB-M15S(M)&FFu	Male Luer Lock-Tube(15cm)-Stopcock(Male) and Female Luer Lock-Funnel Adapter
BT-10(S)P(S)	CT-DB-M10(S)Fu(S)	Male Luer Lock-Tube(10cm;small)-Funnel(small)
BT-15(S)P(S)	CT-DB-M15(S)Fu(S)	Male Luer Lock-Tube(15cm;small)-Funnel(small)
BT-15L	CT-DB-M15L	Male Luer Lock-Tube(15cm)-Olive
BT-15F	CT-DB-M15F	Male Luer Lock-Tube(15cm)-Female Luer Lock
BT-15S(1W)P	CT-DB-M15S(1W)P	Male Luer Lock-Tube(15cm)-Stopcock(1 way)-Funnel
BT-15(S)F	CT-DB-M15(S)F	Male Luer Lock-Tube(15cm;small)-Female Luer Lock
BT-15(S)L	CT-DB-M15(S)L	Male Luer Lock-Tube(15cm;small)-Olive

PERCUTANEOUS DRAINAGE- ACCESSORIES

- Supplied sterile in peel-open packages.
- Intended for one-time use.

DRAINAGE BAG



Order Number	Product Name	Capacity	Description
LU-500	LEG BAG	500ml	Male Luer Lock
LU-800	PCN BAG	800ml	Male Luer Lock
LU-800(F)	PCN BAG	800ml	Female Luer Lock
LU-800(W/FTF-90)	PCN BAG	800ml	Male Luer Lock : With Female/Female Luer Lock Adapter
DB-800	DRAINAGE BAG	800ml	Female Luer Lock Tubing Length Adjustable
DB-800C-MS-V	DRAINAGE BAG	800ml	Male Luer Lock : With V. : Elastic Cloth Belt (Velcro) S. : Stopcock C. : Back cloth
UB-121T	DISPOSABLE DRAINAGE BAG	2000ml	T-Valve; Olive
UB-121T(FL)	DISPOSABLE DRAINAGE BAG	2000ml	T-Valve; Female Luer Lock
UB-121T(ML)	DISPOSABLE DRAINAGE BAG	2000ml	T-Valve; Male Luer Lock

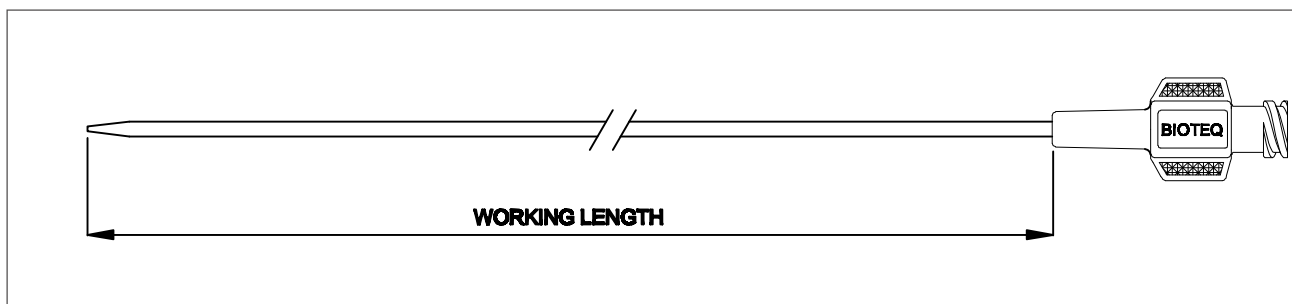
PERCUTANEOUS DRAINAGE- ACCESSORIES

RADIOPAQUE DILATORS - 1 part

- Intended for one-time use.



DILATOR

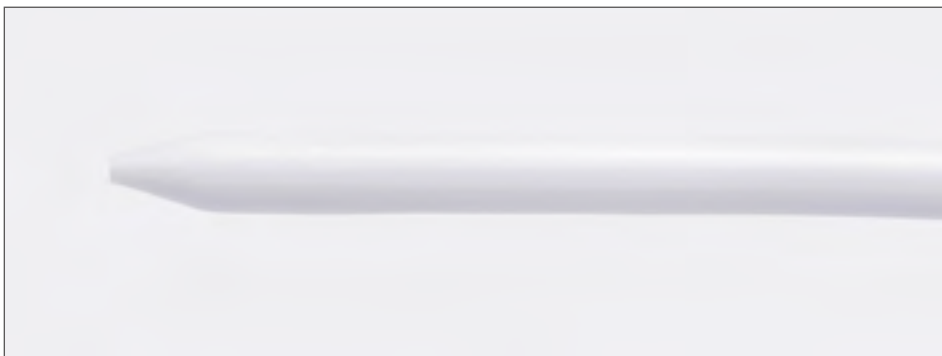


Order Number	Product Code	Dilator Accepts Guide Wire Diameter	Working Length
5F	DR-ER-1P-05XX-28	0.028 inch(0.71mm)	
5F	DR-ER-1P-05XX-35	0.035 inch(0.89mm)	5cm(xx=05)
5F	DR-ER-1P-05XX-38	0.038 inch(0.97mm)	10cm(xx=10)
6F	DR-ER-1P-06XX	0.038 inch(0.97mm)	15cm(xx=15)
7F	DR-ER-1P-07XX	0.038 inch(0.97mm)	20cm(xx=20)
8F	DR-ER-1P-08XX	0.035 inch(0.89mm)	25cm(xx=25)
8F	DR-ER-1P-08XX	0.038 inch(0.97mm)	
9F	DR-ER-1P-09XX	0.038 inch(0.97mm)	
10F	DR-ER-1P-10XX	0.038 inch(0.97mm)	
11F	DR-ER-1P-11XX	0.038 inch(0.97mm)	
12F	DR-ER-1P-12XX	0.038 inch(0.97mm)	
13F	DR-ER-1P-13XX	0.038 inch(0.97mm)	
14F	DR-ER-1P-14XX	0.038 inch(0.97mm)	
15F	DR-ER-1P-15XX	0.038 inch(0.97mm)	
16F	DR-ER-1P-16XX	0.038 inch(0.97mm)	

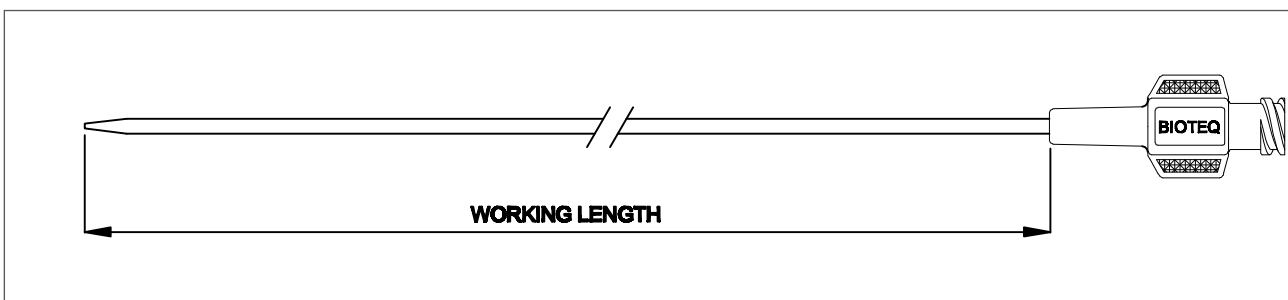
PERCUTANEOUS DRAINAGE- ACCESSORIES

RADIOPAQUE DILATORS (WITH HYDROPHILIC COATING)

- Intended for one-time use.



DILATOR

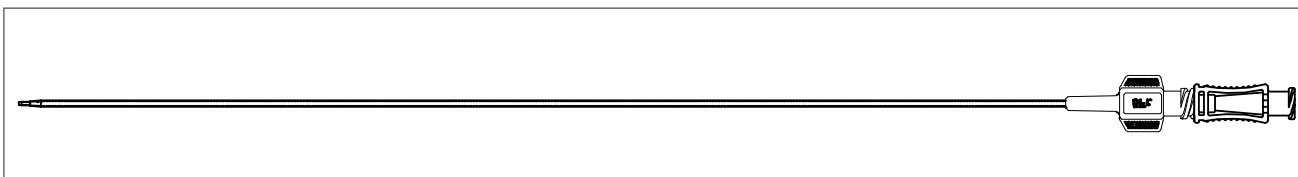
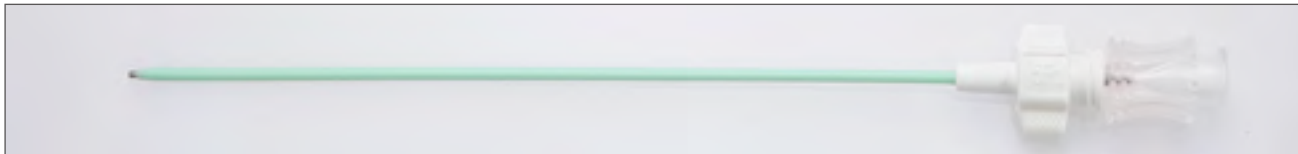


French Size	Order Number	Dilator Accepts Guide Wire Diameter	Working Length
5F	DR-UR-1P-05XX-28	0.028 inch(0.71mm)	
5F	DR-UR-1P-05XX-35	0.035 inch(0.89mm)	5cm(xx=05)
5F	DR-UR-1P-05XX-38	0.038 inch(0.97mm)	10cm(xx=10)
6F	DR-UR-1P-06XX	0.038 inch(0.97mm)	15cm(xx=15)
7F	DR-UR-1P-07XX	0.038 inch(0.97mm)	20cm(xx=20)
8F	DR-UR-1P-08XX	0.035 inch(0.89mm)	25cm(xx=25)
9F	DR-UR-1P-09XX	0.038 inch(0.97mm)	
10F	DR-UR-1P-10XX	0.038 inch(0.97mm)	
11F	DR-UR-1P-11XX	0.038 inch(0.97mm)	
12F	DR-UR-1P-12XX	0.038 inch(0.97mm)	
13F	DR-UR-1P-13XX	0.038 inch(0.97mm)	
14F	DR-UR-1P-14XX	0.038 inch(0.97mm)	
15F	DR-UR-1P-15XX	0.038 inch(0.97mm)	
16F	DR-UR-1P-16XX	0.038 inch(0.97mm)	
15F	DR-ER-1P-15XX	0.038 inch(0.97mm)	
16F	DR-ER-1P-16XX	0.038 inch(0.97mm)	

PERCUTANEOUS DRAINAGE- ACCESSORIES

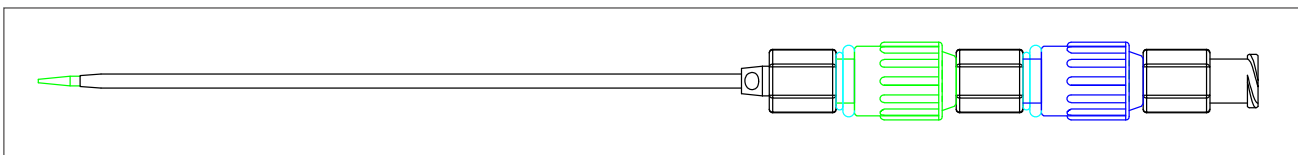
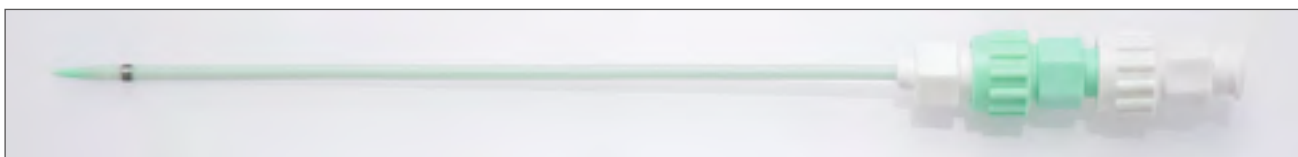
2 PART DILATOR

- Intended for one-time use.



3 PART DILATOR

- Intended for one-time use.



2-PART DILATORS

French Size	Order Number	Needle/Dilator Accept Guide Wire Diameter	Sheath Accept Guide Wire Diameter	Working Length
6F-4F	DR-UPR-2P-0610	Dilators:0.018 inch(0.46mm)	0.038 inch(0.97mm)	10
5F-3F	DR-UPR-2P-0510	Dilators:0.018 inch(0.46mm)	0.038 inch(0.97mm)	10
5F-3F	DR-ER-2P-0518	Needle:0.018 inch(0.46mm)	0.038 inch(0.97mm)	18
5F-3F	DR-ER-2P-0526	Needle:0.018 inch(0.46mm)	0.038 inch(0.97mm)	26
4.5F-3F	DR-UPR-2P-4510	Dilators:0.018 inch(0.46mm)	0.038 inch(0.97mm)	10
4F-3F	DR-UPR-2P-0410	Dilators:0.018 inch(0.46mm)	0.038 inch(0.97mm)	10

3-PART DILATORS

French Size	Order Number	Needle/Dilator Accept Guide Wire Diameter	Sheath Accept Guide Wire Diameter	Working Length
6F-4F	DR-UER-3P-618	Needle:0.018 inch(0.46mm)	0.18"(0.46mm)+0.038"(0.97mm)	18
6F-4F	DR-UER-3P-626	Needle:0.018 inch(0.46mm)	0.18"(0.46mm)+0.038"(0.97mm)	26
6F-4F	DR-UER-3P-618-RB	Needle:0.018 inch(0.46mm)	0.18"(0.46mm)+0.038"(0.97mm)	18
6F-4F	DR-UER-3P-626RB	Needle:0.018 inch(0.46mm)	0.18"(0.46mm)+0.038"(0.97mm)	26

PERCUTANEOUS DRAINAGE- ACCESSORIES

ACCESS NEEDLE

- Supplied sterile in peel-open packages.
- Intended for one-time use.

INTRODUCER NEEDLE



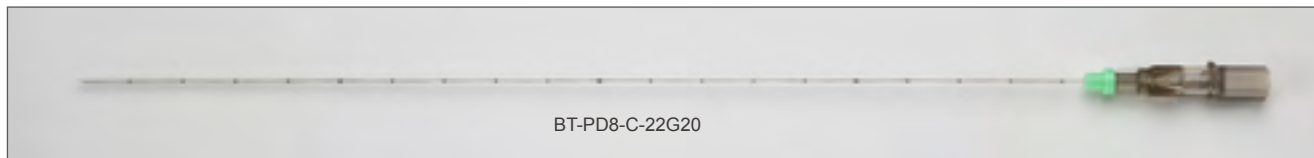
Order Number	Description
INTRODUCER NEEDLE	
BT-PD8-S-18G15A	Seldinger Needle/18G*15cm/Enhanced Sonar Guide/Accept 0.038" Guidewire
BT-PD8-S-18G15B	Seldinger Needle/18G*15cm/Sonar Guide/Accept 0.038" Guidewire
BT-PD8-S-18G20A	Seldinger Needle/18G*20cm/Enhanced Sonar Guide/Accept 0.038" Guidewire
BT-PD8-S-18G20B	Seldinger Needle/18G*20cm/Sonar Guide/Accept 0.038" Guidewire
BT-PD8-S-21G15	Seldinger/21G*15cm/Enhanced Sonar Guide/Accept 0.018" Guidewire
BT-PD8-S-21G20	Seldinger Needle/21G*20cm/Enhanced Sonar Guide/Accept 0.018" Guidewire

PERCUTANEOUS DRAINAGE- ACCESSORIES

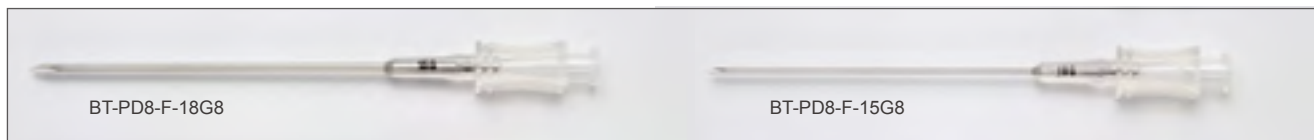
ACCESS NEEDLE

- Supplied sterile in peel-open packages.
- Intended for one-time use.

CONTRAST NEEDLE



FIXING NEEDLE



GUIDING NEEDLE



Order Number	Description
FIXING NEEDLE	
BT-PD8-F-18G8	Fixing Needle/18G*7.5cm
BT-PD8-F-15G8	Fixing Needle/15G*7.5cm
GUIDING NEEDLE	
BT-PD8-G-18G8	Guiding Needle/18G*7.5cm
BT-PD8-G-15G8	Guiding Needle/15G*7.5cm
CONTRAST NEEDLE	
BT-PD8-C-22G20	Contrast Needle/22G*20cm

PERCUTANEOUS DRAINAGE- ACCESSORIES

INTRODUCER SHEATHED NEEDLES

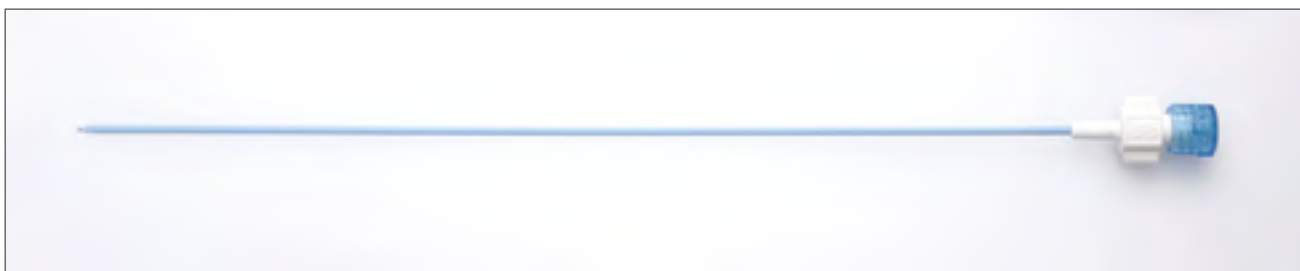
- For guidewire insertion or fluid aspiration.



Order Number	French	Working Length(cm)	Needle Accept GW	Sheath Accept GW
BT-PD0-0518(SN)	5F	18	0.025 inch(0.63mm)	0.038 inch(0.96mm)
BT-PD0-0526(SN)	5F	26	0.025 inch(0.63mm)	0.038 inch(0.96mm)

PTC CATHETER NEEDLES

- For second puncture site in biliary drainage procedures, contrast injection, path finding and guidewire exchange.

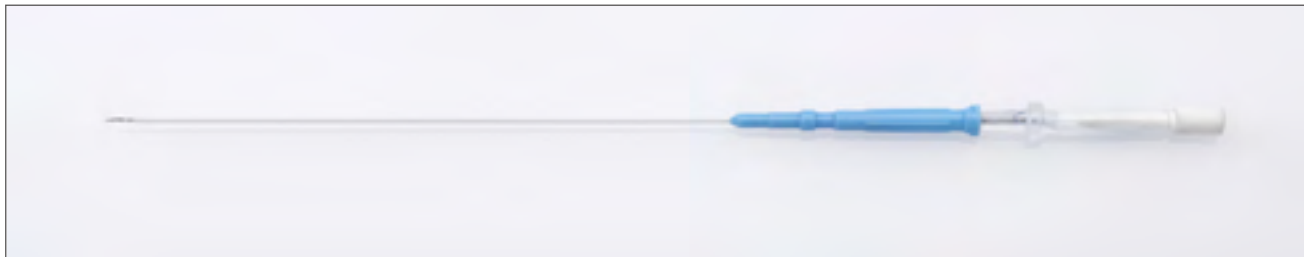


Order Number	French	Working Length(cm)	Sheath Accept GW
BT-PD0-0516(PT)	5F	16	0.038 inch(0.96mm)
BT-PD0-0522(PT)	5F	22	0.038 inch(0.96mm)
BT-PD0-0527(PT)	5F	27	0.038 inch(0.97mm)

PERCUTANEOUS DRAINAGE- ACCESSORIES

OTN CATHETER NEEDLE

- For guidewire insertion.



Order Number	French	Working Length(cm)	Needle Accept GW
BT-PD0-0406(OTN)	4F	6.4	0.035 inch(0.89mm)
BT-PD0-0410(OTN)	4F	10	0.035 inch(0.89mm)
BT-PD0-0415(OTN)	4F	15	0.035 inch(0.89mm)
BT-PD0-0507(OTN)	5F	7	0.038 inch(0.96mm)
BT-PD0-0510(OTN)	5F	10	0.038 inch(0.96mm)
BT-PD0-0515(OTN)	5F	15	0.038 inch(0.96mm)
BT-PD0-0520(OTN)	5F	20	0.038 inch(0.96mm)

CENTESIS CATHETER NEEDLE

- For percutaneous fluid aspiration and small volume drainage procedure.
- Echogenic Needle.
- Tapered Catheter.
- Four side holes.

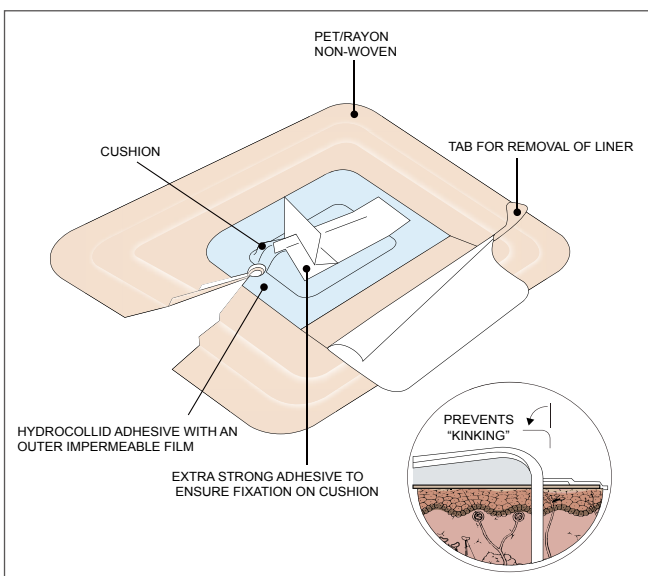


Order Number	French	Working Length(cm)
BT-PD0-0406(CEN)	4F	6.4
BT-PD0-0410(CEN)	4F	10
BT-PD0-0415(CEN)	4F	15
BT-PD0-0507(CEN)	5F	7
BT-PD0-0510(CEN)	5F	10
BT-PD0-0515(CEN)	5F	15
BT-PD0-0520(CEN)	5F	20

PERCUTANEOUS DRAINAGE-ACCESSORIES

DRAIN-LOK CATHETER SECUREMENT DEVICE

- Drain-Lok is indicated for short term (max. 7 days) securement of percutaneous indwelling catheters.
- Provide wound protection and prevent accidental migration of various catheters and tubes.



Order Number	Description
BT-CS-0512	Used for 5F~12F
BT-CS-0512T*	Drainage catheter
BT-CS-1218	Used for Drainage catheter 12F~18F
BT-CS-1218T*	Drainage catheter

*T indicates that there is a transparent cover present for continuous site observation.

PERCUTANEOUS DRAINAGE- ACCESSORIES

STOPCOCK

- Supplied sterile in peel-open packages.
- Intended for one-time use.



Order Number	Description
BT-STC-4WR-LB	4 way/Large Bore/Rotating L.L./Cap
BT-STC-4W-LB	4 way/Large Bore/Cap
BT-STC-4W-SB	4 way/Sandard Bore/
BT-STC-1W-LB	1 way/Large Bore
BT-STC-1WR-SB	1 way/Standard Bore/Rotating L.L.

SECUREMENT & RETENTION DEVICE



Order Number	Catheter Size (Fr.)	Color
BT-RD-5	5 Fr.	Transparent (sky color)
BT-RD-6/10	6F/7F/8F/9F/10F	Transparent (blue color)
BT-RD-12/16	12F/14F/16F	Transparent (green color)

PERCUTANEOUS DRAINAGE- ACCESSORIES

GUIDEWIRE

- Intended for one-time use.



Nitinol Guidewire



Teflon Coated Guidewire

Order Number	Description
GW-S-018-80	0.018"/80cm/Straight Tip/Palladium Radiopaque Coil Tip/Nitinol Shaft
GW-S-018-80S	0.018"/80cm/Straight Tip/Palladium Radiopaque Coil Tip/Stainless Steel Shaft
GW-J3-035-90	0.035"/90cm/3mm J/Stiff shaft/Teflon Coated
GW-J3-035-90A	0.035"/90cm/3mm J/Teflon Coated
GW-J3-035-150	0.035"/150cm/3mm J/Stiff shaft/Teflon Coated
GW-J3-035-150A	0.035"/150cm/3mm J/Teflon Coated
GW-J3-038-90	0.038"/90cm/3mm J/Teflon Coated
GW-J3-038-150	0.038"/150cm/3mm J/Teflon Coated
GW-S-035-90-HC	0.035"/90cm/Straight/Nitinol/Hydrophilic Coated
GW-S-035-150-HC	0.035"/150cm/Straight/Nitinol/Hydrophilic Coated
GW-S-038-90-HC	0.038"/90cm/Straight/Nitinol/Hydrophilic Coated
GW-S-038-150-HC	0.038"/150cm/Straight/Nitinol/Hydrophilic Coated

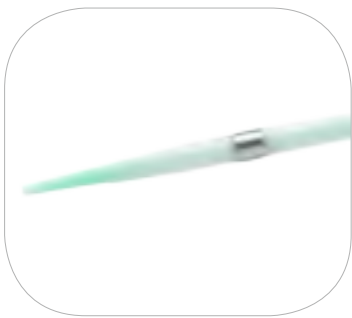
SCALPEL

- Supplied sterile in peel-open packages.
- Intended for one-time use.



Order Number	Description
BT-SCL-BN11	No. 11/Minor

INTRODUCER SET



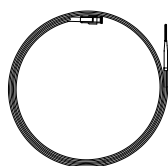


INTRODUCER SET

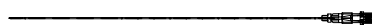
- A kit basically consists of: Co-axial Dilator, Introducer Needle, Guide Wire. See our detailed specifications listed below.

6Fr-4Fr Co-axial Dilator+Introducer Needle+Guide Wire(0.018"; Nitinol)

Co-axial Dilator	Order Number	Co-axial Dilator				Accessories
French Size		Working Length	Marker Band	Sheath Accept Guide Wire Diameter	Dilator Accept Guide Wire Diameter	
6F	BT-PDN-618-RB	18cm	with	0.018" + 0.038"	0.018"	21G(0.82mm) Introducer Needle with stylet *Radiopaque Coil Tip 0.018 inch(0.46mm) x80 cm Nitinol Guide Wire
6F	BT-PDN-626-RB	26cm	with	0.018" + 0.038"	0.018"	21G(0.82mm) Introducer Needle with stylet *Radiopaque Coil Tip 0.018 inch(0.46mm) x80 cm Nitinol Guide Wire
6F	BT-PDN-618	18cm	without	0.018" + 0.038"	0.018"	21G(0.82mm) Introducer Needle with stylet *Radiopaque Coil Tip 0.018 inch(0.46mm) x80 cm Nitinol Guide Wire
6F	BT-PDN-626	26cm	without	0.018" + 0.038"	0.018"	21G(0.82mm) Introducer Needle with stylet *Radiopaque Coil Tip 0.018 inch(0.46mm) x80 cm Nitinol Guide Wire



0.018" NITINOL GUIDEWIRE(80cm)



21G INTRODUCER NEEDLE



6FR CO-AXIAL DILATOR

6Fr-4Fr Co-axial Dilator+Introducer Needle+Guide Wire(0.018"; Nitinol)+Guide Wire(0.035"; Stainless Steel)

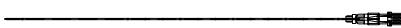
Co-axial Dilator	Order Number	Co-axial Dilator				Accessories
French Size		Working Length	Marker Band	Sheath Accept Guide Wire Diameter	Dilator Accept Guide Wire Diameter	
6F	BT-PDN-618-RB(+GW2)	18cm	with	0.018" + 0.038"	0.018"	21G(0.82mm) Introducer Needle with stylet *Radiopaque Coil Tip 0.018 inch(0.46mm) x80 cm Nitinol Guide Wire *3mm J tip 0.035 inch(0.89mm)x90cm Guide Wire
6F	BT-PDN-618-RB(+GW2A)	18cm	with	0.018" + 0.038"	0.018"	21G(0.82mm) Introducer Needle with stylet *Radiopaque Coil Tip 0.018 inch(0.46mm) x80 cm Nitinol Guide Wire *3mm J tip 0.035 inch(0.89mm)x150cm Guide Wire
6F	BT-PDN-626-RB(+GW2)	26cm	with	0.018" + 0.038"	0.018"	21G(0.82mm) Introducer Needle with stylet *Radiopaque Coil Tip 0.018 inch(0.46mm) x80 cm Nitinol Guide Wire *3mm J tip 0.035 inch(0.89mm)x90cm Guide Wire
6F	BT-PDN-626-RB(+GW2A)	26cm	with	0.018" + 0.038"	0.018"	21G(0.82mm) Introducer Needle with stylet *Radiopaque Coil Tip 0.018 inch(0.46mm) x80 cm Nitinol Guide Wire *3mm J tip 0.035 inch(0.89mm)x150cm Guide Wire
6F	BT-PDN-618(+GW2)	18cm	without	0.018" + 0.038"	0.018"	21G(0.82mm) Introducer Needle with stylet *Radiopaque Coil Tip 0.018 inch(0.46mm) x80 cm Nitinol Guide Wire *3mm J tip 0.035 inch(0.89mm)x90cm Guide Wire
6F	BT-PDN-618(+GW2A)	18cm	without	0.018" + 0.038"	0.018"	21G(0.82mm) Introducer Needle with stylet *Radiopaque Coil Tip 0.018 inch(0.46mm) x80 cm Nitinol Guide Wire *3mm J tip 0.035 inch(0.89mm)x150cm Guide Wire
6F	BT-PDN-626(+GW2)	26cm	without	0.018" + 0.038"	0.018"	21G(0.82mm) Introducer Needle with stylet *Radiopaque Coil Tip 0.018 inch(0.46mm) x80 cm Nitinol Guide Wire *3mm J tip 0.035 inch(0.89mm)x90cm Guide Wire
6F	BT-PDN-626(+GW2A)	26cm	without	0.018" + 0.038"	0.018"	21G(0.82mm) Introducer Needle with stylet *Radiopaque Coil Tip 0.018 inch(0.46mm) x80 cm Nitinol Guide Wire *3mm J tip 0.035 inch(0.89mm)x150cm Guide Wire



0.035" S.S. GUIDEWIRE(90,150cm)



0.018" NITINOL GUIDEWIRE(80cm)



21G INTRODUCER NEEDLE



6FR CO-AXIAL DILATOR

6Fr-4Fr Co-axial Dilator+Introducer Needle

Co-axial Dilator	Order Number	Co-axial Dilator				Accessories
French Size		Working Length	Marker Band	Sheath Accept Guide Wire Diameter	Dilator Accept Guide Wire Diameter	
6F	BT-PDN1-618-RB	18cm	with	0.018" + 0.038"	0.018"	21G(0.82mm) Introducer Needle with stylet
6F	BT-PDN1-626-RB	26cm	with	0.018" + 0.038"	0.018"	21G(0.82mm) Introducer Needle with stylet
6F	BT-PDN1-618	18cm	without	0.018" + 0.038"	0.018"	21G(0.82mm) Introducer Needle with stylet
6F	BT-PDN1-626	26cm	without	0.018" + 0.038"	0.018"	21G(0.82mm) Introducer Needle with stylet



21G INTRODUCER NEEDLE



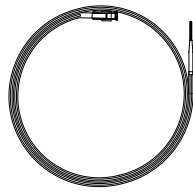
6FR CO-AXIAL DILATOR

INTRODUCER SET

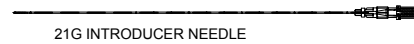
- A kit basically consists of: Co-axial Dilator, Introducer Needle, Guide Wire. See our detailed specifications listed below.

6Fr-4Fr Co-axial Dilator+Introducer Needle+Guide Wire(0.018"; Stainless Steel)

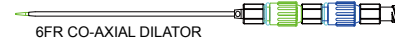
Co-axial Dilator French Size	Order Number	Co-axial Dilator				Dilator Accept Guide Wire Diameter	Accessories
		Working Length	Marker Band	Sheath Wire Diameter	Accept Guide Wire Diameter		
6F	BT-PDN-618-RB-S	18cm	with	0.018" + 0.038"	0.018"	21G(0.82mm) Introducer Needle with stylet *Radiopaque Coil Tip 0.018 inch(0.46mm) x80 cm Stainless Steel Guide Wire	
6F	BT-PDN-626-RB-S	26cm	with	0.018" + 0.038"	0.018"	21G(0.82mm) Introducer Needle with stylet *Radiopaque Coil Tip 0.018 inch(0.46mm) x80 cm Stainless Steel Guide Wire	
6F	BT-PDN-618-S	18cm	without	0.018" + 0.038"	0.018"	21G(0.82mm) Introducer Needle with stylet *Radiopaque Coil Tip 0.018 inch(0.46mm) x80 cm Stainless Steel Guide Wire	
6F	BT-PDN-626-S	26cm	without	0.018" + 0.038"	0.018"	21G(0.82mm) Introducer Needle with stylet *Radiopaque Coil Tip 0.018 inch(0.46mm) x80 cm Stainless Steel Guide Wire	



0.018" S.S. GUIDEWIRE(80cm)



21G INTRODUCER NEEDLE



6FR CO-AXIAL DILATOR

6Fr-4Fr Co-axial Dilator+Introducer Needle+Guide Wire(0.018"; Stainless Steel)+Guide Wire(0.035"; Stainless Steel)

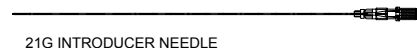
Co-axial Dilator French Size	Order Number	Co-axial Dilator				Dilator Accept Guide Wire Diameter	Accessories
		Working Length	Marker Band	Sheath Wire Diameter	Accept Guide Wire Diameter		
6F	BT-PDN-618-RB-S(+GW2)	18cm	with	0.018" + 0.038"	0.018"	21G(0.82mm) Introducer Needle with stylet *Radiopaque Coil Tip 0.018 inch(0.46mm) x80 cm Stainless Steel Guide Wire *3mm J tip 0.035 inch(0.89mm)x90cm Guide Wire	
6F	BT-PDN-618-RB-S(+GW2A)	18cm	with	0.018" + 0.038"	0.018"	21G(0.82mm) Introducer Needle with stylet *Radiopaque Coil Tip 0.018 inch(0.46mm) x80 cm Stainless Steel Guide Wire *3mm J tip 0.035 inch(0.89mm)x150cm Guide Wire	
6F	BT-PDN-626-RB-S(+GW2)	26cm	with	0.018" + 0.038"	0.018"	21G(0.82mm) Introducer Needle with stylet *Radiopaque Coil Tip 0.018 inch(0.46mm) x80 cm Stainless Steel Guide Wire *3mm J tip 0.035 inch(0.89mm)x90cm Guide Wire	
6F	BT-PDN-626-RB-S(+GW2A)	26cm	with	0.018" + 0.038"	0.018"	21G(0.82mm) Introducer Needle with stylet *Radiopaque Coil Tip 0.018 inch(0.46mm) x80 cm Stainless Steel Guide Wire *3mm J tip 0.035 inch(0.89mm)x150cm Guide Wire	
6F	BT-PDN-618-S(+GW2)	18cm	without	0.018" + 0.038"	0.018"	21G(0.82mm) Introducer Needle with stylet *Radiopaque Coil Tip 0.018 inch(0.46mm) x80 cm Stainless Steel Guide Wire *3mm J tip 0.035 inch(0.89mm)x90cm Guide Wire	
6F	BT-PDN-618-S(+GW2A)	18cm	without	0.018" + 0.038"	0.018"	21G(0.82mm) Introducer Needle with stylet *Radiopaque Coil Tip 0.018 inch(0.46mm) x80 cm Stainless Steel Guide Wire *3mm J tip 0.035 inch(0.89mm)x150cm Guide Wire	
6F	BT-PDN-626-S(+GW2)	26cm	without	0.018" + 0.038"	0.018"	21G(0.82mm) Introducer Needle with stylet *Radiopaque Coil Tip 0.018 inch(0.46mm) x80 cm Stainless Steel Guide Wire *3mm J tip 0.035 inch(0.89mm)x90cm Guide Wire	
6F	BT-PDN-626-S(+GW2A)	26cm	without	0.018" + 0.038"	0.018"	21G(0.82mm) Introducer Needle with stylet *Radiopaque Coil Tip 0.018 inch(0.46mm) x80 cm Stainless Steel Guide Wire *3mm J tip 0.035 inch(0.89mm)x150cm Guide Wire	



0.035" S.S. GUIDEWIRE(90,150cm)



0.018" S.S. GUIDEWIRE(80cm)



21G INTRODUCER NEEDLE



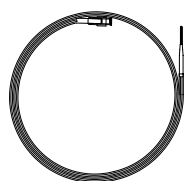
6FR CO-AXIAL DILATOR

INTRODUCER SET

- A set basically consists of :Co-axial Dilator, Introducer Needle, Guide Wire. See our detailed specifications listed below.

5Fr-3Fr Co-axial Dilator+Introducer Needle+ Guide Wire(0.018"; Nitinol)

Co-axial Dilator	Order Number	Co-axial Dilator				Accessories
French Size		Working Length	Marker Band	Sheath Accept Guide Wire Diameter	Dilator Accept Guide Wire Diameter	
5F	BT-PDN-518	18cm	without	0.038"	0.025"	21G(0.82mm) Introducer Needle with stylet *Radiopaque Coil Tip 0.018 inch(0.46mm) x80 cm Nitinol Guide Wire
5F	BT-PDN-526	26cm	without	0.038"	0.025"	21G(0.82mm) Introducer Needle with stylet *Radiopaque Coil Tip 0.018 inch(0.46mm) x80 cm Nitinol Guide Wire



0.018" NITINOL GUIDEWIRE(80cm)



21G INTRODUCER NEEDLE



5FR CO-AXIAL DILATOR

5Fr-3Fr Co-axial Dilator+ Introducer Needle+ Guide Wire(0.018"; Nitinol))+ Guide Wire(0.035"; Stainless Steel)

Co-axial Dilator	Order Number	Co-axial Dilator				Accessories
French Size		Working Length	Marker Band	Sheath Accept Guide Wire Diameter	Dilator Accept Guide Wire Diameter	
5F	BT-PDN-518(+GW2)	18cm	without	0.038"	0.025"	21G(0.82mm) Introducer Needle with stylet *Radiopaque Coil Tip 0.018 inch(0.46mm) x80 cm Nitinol Guide Wire *3mm J tip 0.035 inch(0.89mm)x90cm Guide Wire
5F	BT-PDN-518(+GW2A)	18cm	without	0.038"	0.025"	21G(0.82mm) Introducer Needle with stylet *Radiopaque Coil Tip 0.018 inch(0.46mm) x80 cm Nitinol Guide Wire *3mm J tip 0.035 inch(0.89mm)x150cm Guide Wire
5F	BT-PDN-526(+GW2)	26cm	without	0.038"	0.025"	21G(0.82mm) Introducer Needle with stylet *Radiopaque Coil Tip 0.018 inch(0.46mm) x80 cm Nitinol Guide Wire *3mm J tip 0.035 inch(0.89mm)x90cm Guide Wire
5F	BT-PDN-526(+GW2A)	26cm	without	0.038"	0.025"	21G(0.82mm) Introducer Needle with stylet *Radiopaque Coil Tip 0.018 inch(0.46mm) x80 cm Nitinol Guide Wire *3mm J tip 0.035 inch(0.89mm)x150cm Guide Wire



0.035" S.S. GUIDEWIRE(90,150cm)



0.018" NITINOL GUIDEWIRE(80cm)



21G INTRODUCER NEEDLE



5FR CO-AXIAL DILATOR

5Fr-3Fr Co-axial Dilator+Introducer Needle

Co-axial Dilator	Order Number	Co-axial Dilator				Accessories
French Size		Working Length	Marker Band	Sheath Accept Guide Wire Diameter	Dilator Accept Guide Wire Diameter	
5F	BT-PDN1-518-RB	18cm	with	0.018" + 0.038"	0.018"	21G(0.82mm) Introducer Needle with stylet
5F	BT-PDN1-526-RB	26cm	with	0.018" + 0.038"	0.018"	21G(0.82mm) Introducer Needle with stylet
5F	BT-PDN1-518	18cm	without	0.018" + 0.038"	0.018"	21G(0.82mm) Introducer Needle with stylet
5F	BT-PDN1-526	26cm	without	0.018" + 0.038"	0.018"	21G(0.82mm) Introducer Needle with stylet



21G INTRODUCER NEEDLE



5FR CO-AXIAL DILATOR

INTRODUCER SET

- A set basically consists of :Co-axial Dilator, Introducer Needle, Guide Wire. See our detailed specifications listed below.

5Fr-3Fr Co-axial Dilator+Introducer Needle+ Guide Wire(0.018"; Stainless Steel)

Co-axial Dilator	Order Number	Co-axial Dilator				Accessories
French Size		Working Length	Marker Band	Sheath Accept Guide Wire Diameter	Dilator Accept Guide Wire Diameter	
5F	BT-PDN-518-S	18cm	without	0.038"	0.025"	21G(0.82mm) Introducer Needle with stylet *Radiopaque Coil Tip 0.018 inch(0.46mm) x80 cm Stainless Steel Guide Wire
5F	BT-PDN-526-S	26cm	without	0.038"	0.025"	21G(0.82mm) Introducer Needle with stylet *Radiopaque Coil Tip 0.018 inch(0.46mm) x80 cm Stainless Steel Guide Wire



0.018" S.S. GUIDEWIRE(80cm)



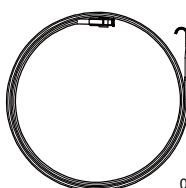
21G INTRODUCER NEEDLE



5FR CO-AXIAL DILATOR

5Fr-3Fr Co-axial Dilator+Introducer Needle+ Guide Wire(0.018"; Stainless Steel)+ Guide Wire(0.035"; Stainless Steel)

Co-axial Dilator	Order Number	Co-axial Dilator				Accessories
French Size		Working Length	Marker Band	Sheath Accept Guide Wire Diameter	Dilator Accept Guide Wire Diameter	
5F	BT-PDN-518-S(+GW2)	18cm	without	0.038"	0.025"	21G(0.82mm) Introducer Needle with stylet *Radiopaque Coil Tip 0.018 inch(0.46mm) x80 cm Stainless Steel Guide Wire *3mm J tip 0.035 inch(0.89mm)x90cm Guide Wire
5F	BT-PDN-518-S(+GW2A)	18cm	without	0.038"	0.025"	21G(0.82mm) Introducer Needle with stylet *Radiopaque Coil Tip 0.018 inch(0.46mm) x80 cm Stainless Steel Guide Wire *3mm J tip 0.035 inch(0.89mm)x150cm Guide Wire
5F	BT-PDN-526-S(+GW2)	26cm	without	0.038"	0.025"	21G(0.82mm) Introducer Needle with stylet *Radiopaque Coil Tip 0.018 inch(0.46mm) x80 cm Stainless Steel Guide Wire *3mm J tip 0.035 inch(0.89mm)x90cm Guide Wire
5F	BT-PDN-526-S(+GW2A)	26cm	without	0.038"	0.025"	21G(0.82mm) Introducer Needle with stylet *Radiopaque Coil Tip 0.018 inch(0.46mm) x80 cm Stainless Steel Guide Wire *3mm J tip 0.035 inch(0.89mm)x150cm Guide Wire



0.035" S.S. GUIDEWIRE(90,150cm)



0.018" S.S. GUIDEWIRE(80cm)



21G INTRODUCER NEEDLE

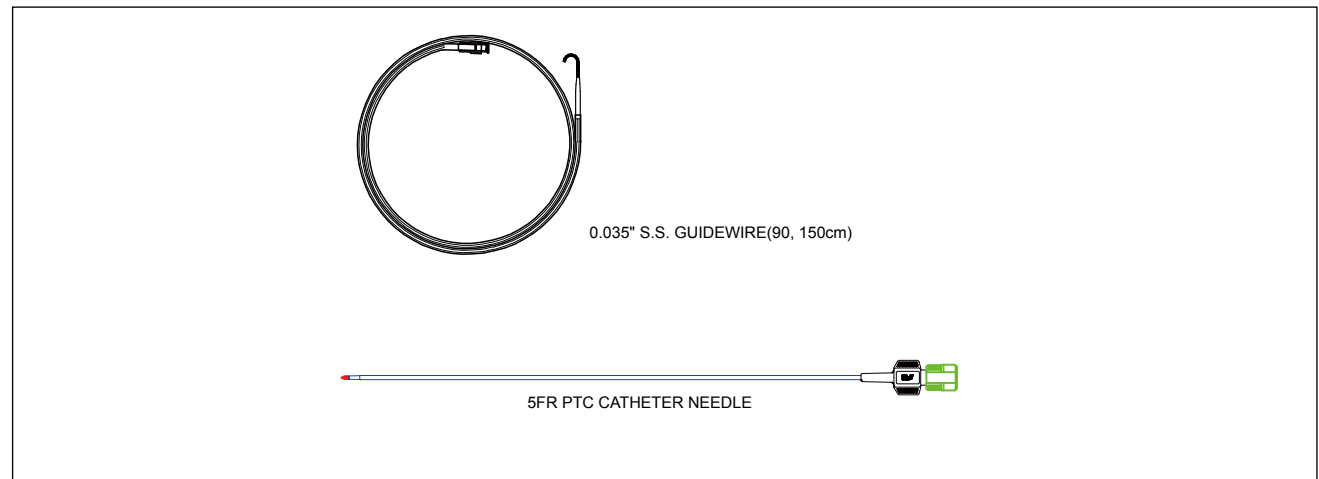


5FR CO-AXIAL DILATOR

INTRODUCER SET

• A set basically consists of : PTC Catheter Needle, Guide Wire. See our detailed specifications listed below.

PTC Catheter+Guide Wire(0.035"; Stainless Steel)				
PTC Catheter	Order Number	PTC Catheter	Accessories	
French Size		Working Length	Sheath Accept Guide Wire Diameter	
5F	BT-PDN-516(PT)	16cm	0.038"	5Fr PTC Catheter Needle *3mm J tip 0.035 inch(0.89mm)x90cm Guide Wire
5F	BT-PDN-522(PT)	22cm	0.038"	5Fr PTC Catheter Needle *3mm J tip 0.035 inch(0.89mm)x90cm Guide Wire
5F	BT-PDN-527(PT)	27cm	0.038"	5Fr PTC Catheter Needle *3mm J tip 0.035 inch(0.89mm)x90cm Guide Wire
5F	BT-PDN-516(PT1)	16cm	0.038"	5Fr PTC Catheter Needle *3mm J tip 0.035 inch(0.89mm)x150cm Guide Wire
5F	BT-PDN-522(PT1)	22cm	0.038"	5Fr PTC Catheter Needle *3mm J tip 0.035 inch(0.89mm)x150cm Guide Wire
5F	BT-PDN-527(PT1)	27cm	0.038"	5Fr PTC Catheter Needle 3mm J tip 0.035 inch(0.89mm)x150cm Guide Wire

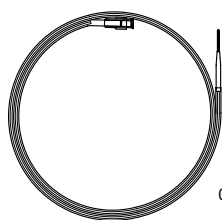


INTRODUCER SET

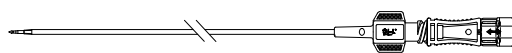
- A set basically consists of :Introducer Sheathed Needle, Guide Wire. See our detailed specifications listed below.

5Fr Introducer Sheathed Needle+ Guide Wire(0.018", Nitinol)

French Size	Order Number	Working Length	Marker Band	5Fr Sheath Accept Guide Wire Diameter	Needle Accept Guide Wire Diameter	Accessories
5F	BT-PDN-518(SN)	18cm	without	0.038"	0.025"	5 Fr Introducer Sheathed Needle *Radiopaque Coil Tip 0.018 inch(0.46mm) x80 cm Nitinol Guide Wire
5F	BT-PDN-526(SN)	26cm	without	0.038"	0.025"	5 Fr Introducer Sheathed Needle *Radiopaque Coil Tip 0.018 inch(0.46mm) x80 cm Nitinol Guide Wire



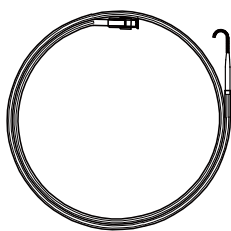
0.018" NITINOL GUIDEWIRE(80cm)



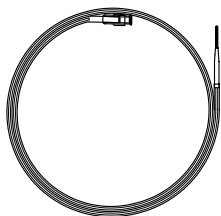
5FR INTRODUCER SHEATHED NEEDLE

5Fr Introducer Sheathed Needle+ Guide Wire(0.018"; Nitinol)+ Guide Wire(0.035"; Stainless Steel)

French Size	Order Number	Working Length	Marker Band	5Fr Sheath Accept Guide Wire Diameter	Needle Accept Guide Wire Diameter	Accessories
5F	BT-PDN-518(SN)(+GW2)	18cm	without	0.038"	0.025"	5 Fr Introducer Sheathed Needle *Radiopaque Coil Tip 0.018 inch(0.46mm) x80 cm Nitinol Guide Wire *3mm J tip 0.035 inch(0.89mm)x90cm Guide Wire
5F	BT-PDN-526(SN)(+GW2A)	26cm	without	0.038"	0.025"	5 Fr Introducer Sheathed Needle *Radiopaque Coil Tip 0.018 inch(0.46mm) x80 cm Nitinol Guide Wire *3mm J tip 0.035 inch(0.89mm)x150cm Guide Wire



0.035" S.S. GUIDEWIRE(90, 150cm)



0.018" NITINOL GUIDEWIRE(80cm)



5FR INTRODUCER SHEATHED NEEDLE

DRAINAGE CATHETER KIT





INTRODUCER DRAINAGE CATHETER KIT (NK1 Type)

- A kit basically consists of: Pigtail Drainage Catheter with Straightener, Metal Stiffening Cannula, Flexible Stiffening Cannula (only for 7~16F catheter), Dilators, 18G Introducer Needle, 0.035" Guide Wire (90cm). See our detailed specifications listed below.

With SAFETY STRING LOCK

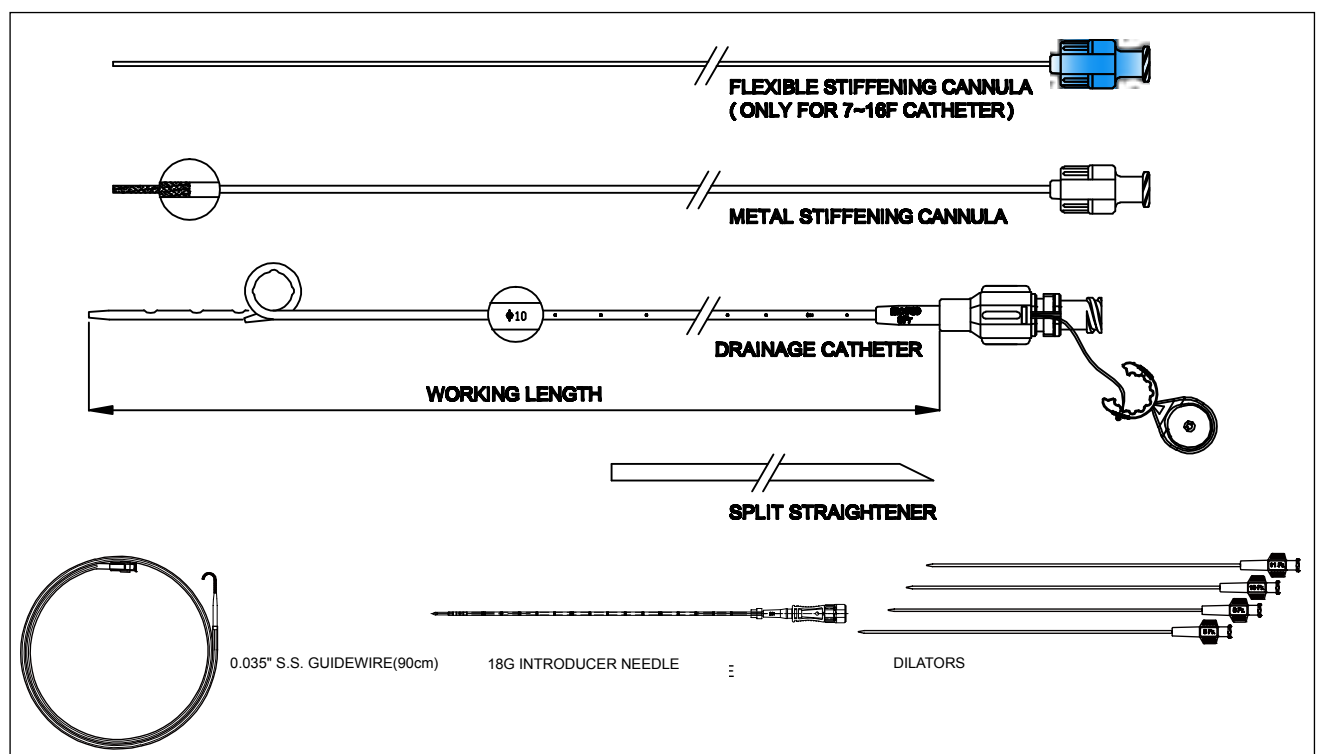
Catheter French Size	Order Number	Included Dilators	Catheter Working Length	Other Kit Accessories	Optional Accessories
6F	BT-PDS-06XX-W-NK1-T(+ZZ)	6F, 7F		*Metal Stiffening Cannula	+ZZ=+SC(Add Scalpel)
7F	BT-PDS-07XX-W-NK1-T(+ZZ)	6F, 7F, 8F	19cm(XX=20)		+ZZ=+ST(Add Stopcock)
8F	BT-PDS-08XX-W-NK1-T(+ZZ)	6F, 8F, 9F	24cm(XX=25)	*Flexible Stiffening Cannula(Only for 7~16F Catheter)	+ZZ=+CT(Add Connecting Tube)
9F	BT-PDS-09XX-W-NK1-T(+ZZ)	6F, 8F, 10F	29cm(XX=30)		+ZZ=+DB(Add Drainage Bag)
10F	BT-PDS-10XX-W-NK1-T(+ZZ)	6F, 8F, 10F, 11F	34cm(XX=35)	*18G(1.27mm)x20cm Seldinger Needle with stylet	+ZZ=+CS(Add Catheter Securement Device)
12F	BT-PDS-12XX-W-NK1-T(+ZZ)	6F, 8F, 10F, 12F, 13F	39cm(XX=40)		+ZZ=+CN(Add 22G Contrasting Needle)
14F	BT-PDS-14XX-W-NK1-T(+ZZ)	6F, 8F, 10F, 12F, 14F, 15F		*3mm J tip 0.035 inch(0.89mm) x90cm Guide Wire	+ZZ=+RD(Add Retention Disk)
16F	BT-PDS-16XX-W-NK1-T(+ZZ)	6F, 8F, 10F, 12F, 14F, 16F			+ZZ=+FN(Add 15G Fixing Needle) +ZZ=+IN(Add 15G Guiding Needle)

Without SAFETY STRING LOCK

Catheter French Size	Order Number	Included Dilators	Catheter Working Length	Other Kit Accessories	Optional Accessories
5F	BT-PDS-05XX-NK1-T(+ZZ)	5F, 6F			
6F	BT-PDS-06XX-NK1-T(+ZZ)	6F, 7F	19cm(XX=20)	*Metal Stiffening Cannula	+ZZ=+SC(Add Scalpel)
7F	BT-PDS-07XX-NK1-T(+ZZ)	6F, 7F, 8F	24cm(XX=25)		+ZZ=+ST(Add Stopcock)
8F	BT-PDS-08XX-NK1-T(+ZZ)	6F, 8F, 9F	29cm(XX=30)	*Flexible Stiffening Cannula(Only for 7~16F Catheter)	+ZZ=+CT(Add Connecting Tube)
9F	BT-PDS-09XX-NK1-T(+ZZ)	6F, 8F, 10F	34cm(XX=35)		+ZZ=+DB(Add Drainage Bag)
10F	BT-PDS-10XX-NK1-T(+ZZ)	6F, 8F, 10F, 11F	39cm(XX=40)	*18G(1.27mm)x20cm Seldinger Needle with stylet	+ZZ=+CS(Add Catheter Securement Device)
12F	BT-PDS-12XX-NK1-T(+ZZ)	6F, 8F, 10F, 12F, 13F			+ZZ=+CN(Add 22G Contrasting Needle)
14F	BT-PDS-14XX-NK1-T(+ZZ)	6F, 8F, 10F, 12F, 14F, 15F		*3mm J tip 0.035 inch(0.89mm) x90cm Guide Wire	+ZZ=+RD(Add Retention Disk)
16F	BT-PDS-16XX-NK1-T(+ZZ)	6F, 8F, 10F, 12F, 14F, 16F			+ZZ=+FN(Add 15G Fixing Needle) +ZZ=+IN(Add 15G Guiding Needle)

- Note: 1. BT-PDS-..... NK1(+ZZ) means drainage catheter kit packaged in sterile pouch without tray.
2. Optional accessories (+ZZ) are available for enhancing the use of the NK1 kit as a support for various drainage procedure.

NK1 Kit



INTRODUCER DRAINAGE CATHETER KIT (NK1 Type)

• A kit basically consists of: Pigtail Drainage Catheter with Straightener, Metal Stiffening Cannula, Flexible Stiffening Cannula (only for 7~16F catheter), Dilators, OTN Catheter Needle, 0.035" Guide Wire (90cm). See our detailed specifications listed below.

With SAFETY STRING LOCK

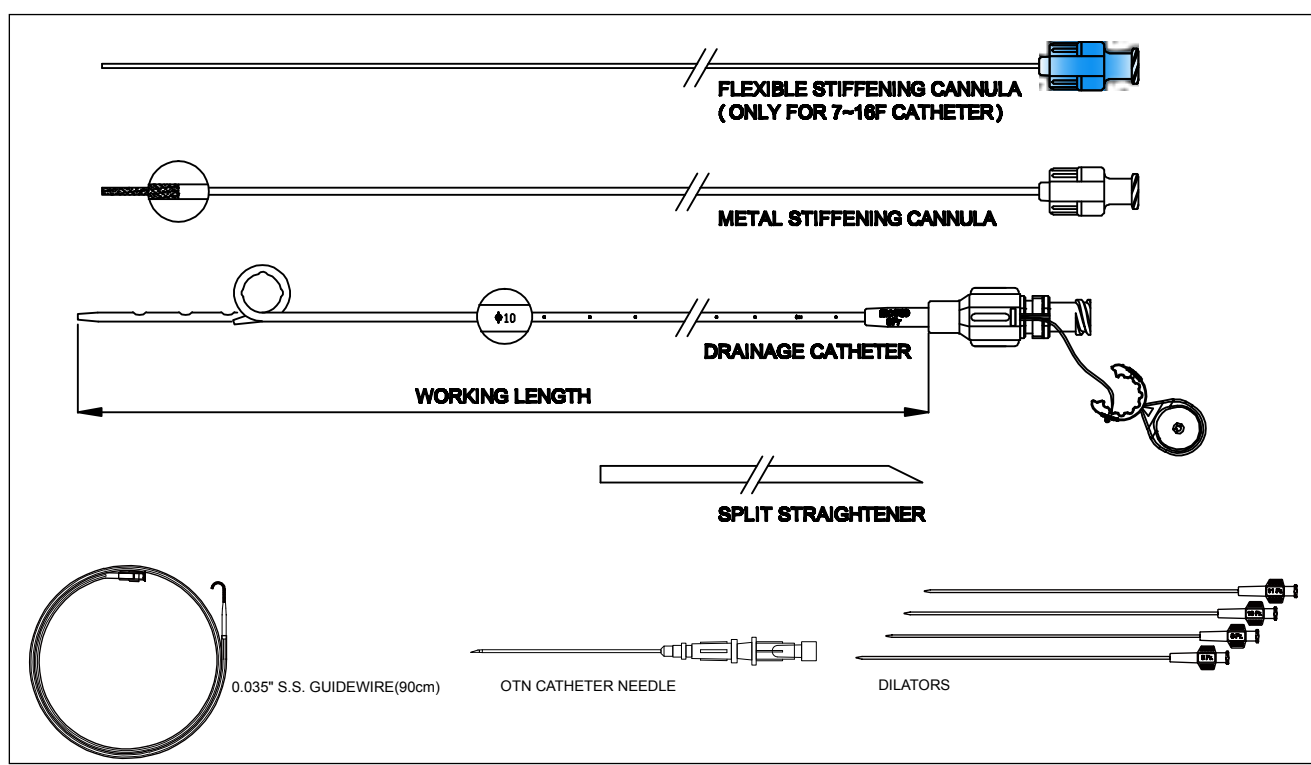
Catheter French Size	Order Number	Included Dilators	Catheter Working Length	Other Kit Accessories	Optional Accessories
6F	BT-PDS-06XX-W-NK1(N)-T (+ZZ)	6F, 7F		*Metal Stiffening Cannula	+ZZ=+SC(Add Scalpel)
7F	BT-PDS-07XX- W-NK1(N)-T (+ZZ)	6F, 7F, 8F	19cm(XX=20)		+ZZ=+ST(Add Stopcock)
8F	BT-PDS-08XX- W-NK1(N)-T(+ZZ)	6F, 8F, 9F	24cm(XX=25)	*Flexible Stiffening Cannula(Only for 7~16F Catheter)	+ZZ=+CT(Add Connecting Tube)
9F	BT-PDS-09XX- W-NK1(N)-T (+ZZ)	6F, 8F, 10F	29cm(XX=30)		+ZZ=+DB(Add Drainage Bag)
10F	BT-PDS-10XX- W-NK1(N)-T (+ZZ)	6F, 8F, 10F, 11F	34cm(XX=35)	*4Fr. OTN Catheter Needle	+ZZ=+CS(Add Catheter Securement Device)
12F	BT-PDS-12XX- W-NK1(N)-T (+ZZ)	6F, 8F, 10F, 12F, 13F	39cm(XX=40)		+ZZ=+CN(Add 22G Contrasting Needle)
14F	BT-PDS-14XX- W-NK1(N)-T (+ZZ)	6F, 8F, 10F, 12F, 14F, 15F		*3mm J tip 0.035 inch(0.89mm) x90cm Guide Wire	+ZZ=+RD(Add Retention Disk)
16F	BT-PDS-16XX- W-NK1(N)-T (+ZZ)	6F, 8F, 10F, 12F, 14F, 16F			+ZZ=+FN(Add 15G Fixing Needle) +ZZ=+IN(Add 15G Guiding Needle)

Without SAFETY STRING LOCK

Catheter French Size	Order Number	Included Dilators	Catheter Working Length	Other Kit Accessories	Optional Accessories
5F	BT-PDS-05XX-NK1(N)-T (+ZZ)	5F, 6F			
6F	BT-PDS-06XX-NK1(N)-T (+ZZ)	6F, 7F	19cm(XX=20)	*Metal Stiffening Cannula	+ZZ=+SC(Add Scalpel)
7F	BT-PDS-07XX-NK1(N)-T (+ZZ)	6F, 7F, 8F	24cm(XX=25)		+ZZ=+ST(Add Stopcock)
8F	BT-PDS-08XX-NK1(N)-T (+ZZ)	6F, 8F, 9F	29cm(XX=30)	*Flexible Stiffening Cannula(Only for 7~16F Catheter)	+ZZ=+CT(Add Connecting Tube)
9F	BT-PDS-09XX-NK1(N)-T (+ZZ)	6F, 8F, 10F	34cm(XX=35)		+ZZ=+DB(Add Drainage Bag)
10F	BT-PDS-10XX-NK1(N)-T (+ZZ)	6F, 8F, 10F, 11F	39cm(XX=40)	*4Fr. OTN Catheter Needle	+ZZ=+CS(Add Catheter Securement Device)
12F	BT-PDS-12XX-NK1(N)-T (+ZZ)	6F, 8F, 10F, 12F, 13F			+ZZ=+CN(Add 22G Contrasting Needle)
14F	BT-PDS-14XX-NK1(N)-T (+ZZ)	6F, 8F, 10F, 12F, 14F, 15F		*3mm J tip 0.035 inch(0.89mm) x90cm Guide Wire	+ZZ=+RD(Add Retention Disk)
16F	BT-PDS-16XX-NK1(N)-T (+ZZ)	6F, 8F, 10F, 12F, 14F, 16F			+ZZ=+FN(Add 15G Fixing Needle) +ZZ=+IN(Add 15G Guiding Needle)

Note: 1. BT-PDS-..... NK1(N)(+ZZ) means drainage catheter kit packaged in sterile pouch without tray.
2. Optional accessories (+ZZ) are available for enhancing the use of the NK1 kit as a support for various drainage procedure.

NK1 Kit



INTRODUCER DRAINAGE CATHETER KIT (NK2 Type)

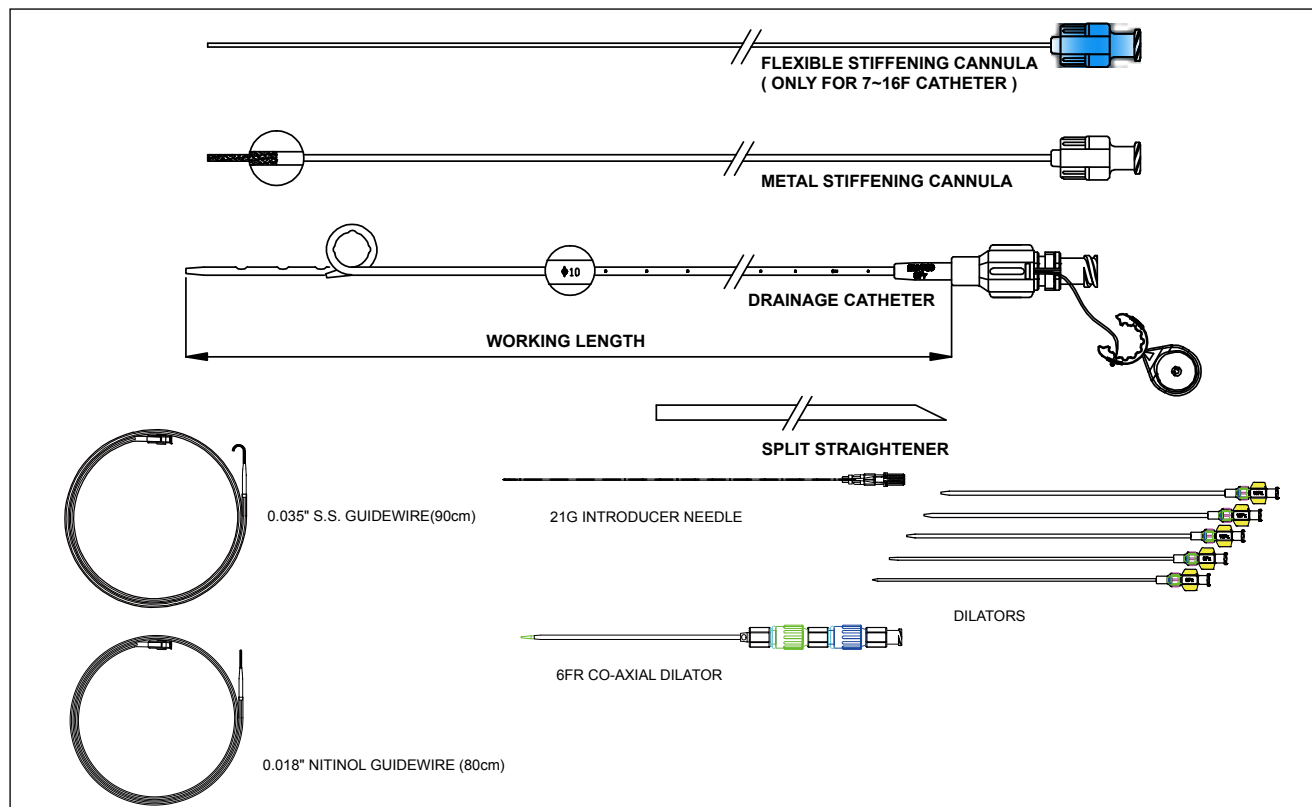
- A kit basically consists of: Pigtail Drainage Catheter with Straightener, Metal Stiffening Cannula, Flexible Stiffening Cannula (only for 7~16F catheter), 6Fr Co-axial Dilator, Dilators, 21G Introducer Needle, 0.018" Guide Wire (80cm), 0.035" Guidewire (90cm). See our detailed specifications listed below.

With SAFETY STRING LOCK					
Catheter French Size	Order Number	Included Dilators	Catheter Working Length	Other Kit Accessories	Optional Accessories
6F	BT-PDS-06XX-W-NK2-T (+ZZ)	7F		*Metal Stiffening Cannula	+ZZ=+SC(Add Scalpel)
7F	BT-PDS-07XX- W-NK2-T (+ZZ)	7F, 8F	19cm(XX=20)		+ZZ=+ST(Add Stopcock)
8F	BT-PDS-08XX- W-NK2-T (+ZZ)	8F, 9F	24cm(XX=25)	*Flexible Stiffening Cannula(Only for 7~16F Catheter)	+ZZ=+CT(Add Connecting Tube)
9F	BT-PDS-09XX- W-NK2-T (+ZZ)	8F, 10F	29cm(XX=30)		+ZZ=+DB(Add Drainage Bag)
10F	BT-PDS-10XX- W-NK2-T (+ZZ)	8F, 10F, 11F	34cm(XX=35)	*21G(0.82mm)x15cm Puncture Needle with stylet	+ZZ=+CS(Add Catheter Securement Device)
12F	BT-PDS-12XX- W-NK2-T (+ZZ)	8F, 10F, 12F, 13F	39cm(XX=40)	*Radiopaque Coil Tip 0.018 inch (0.46mm)x80cm Nitinol Guide Wire	+ZZ=+CN(Add 22G Contrasting Needle)
14F	BT-PDS-14XX- W-NK2-T (+ZZ)	8F, 10F, 12F, 14F, 15F		*3mm J tip 0.035 inch(0.89mm)x90cm Guide Wire	+ZZ=+RD(Add Retention Disk)
16F	BT-PDS-16XX- W-NK2-T (+ZZ)	8F, 10F, 12F, 14F, 16F		*6Frx18cm Co-axial Dilator	+ZZ=+FN1(Add 18G Fixing Needle) +ZZ=+IN1(Add 18G Guiding Needle)

Without SAFETY STRING LOCK					
Catheter French Size	Order Number	Included Dilators	Catheter Working Length	Other Kit Accessories	Optional Accessories
5F	BT-PDS-05XX-NK2-T (+ZZ)			*Metal Stiffening Cannula	+ZZ=+SC(Add Scalpel)
6F	BT-PDS-06XX-NK2-T (+ZZ)	7F	19cm(XX=20)		+ZZ=+ST(Add Stopcock)
7F	BT-PDS-07XX-NK2-T (+ZZ)	7F, 8F	24cm(XX=25)	*Flexible Stiffening Cannula(Only for 7~16F Catheter)	+ZZ=+CT(Add Connecting Tube)
8F	BT-PDS-08XX-NK2-T (+ZZ)	8F, 9F	29cm(XX=30)		+ZZ=+DB(Add Drainage Bag)
9F	BT-PDS-09XX-NK2-T (+ZZ)	8F, 10F	34cm(XX=35)	*21G(0.82mm)x15cm Puncture Needle with stylet	+ZZ=+CS(Add Catheter Securement Device)
10F	BT-PDS-10XX-NK2-T (+ZZ)	8F, 10F, 11F	39cm(XX=40)	*Radiopaque Coil Tip 0.018 inch (0.46mm)x80cm Nitinol Guide Wire	+ZZ=+CN(Add 22G Contrasting Needle)
12F	BT-PDS-12XX-NK2-T (+ZZ)	8F, 10F, 12F, 13F		*3mm J tip 0.035 inch(0.89mm)x90cm Guide Wire	+ZZ=+RD(Add Retention Disk)
14F	BT-PDS-14XX-NK2-T (+ZZ)	8F, 10F, 12F, 14F, 15F		*6Frx18cm Co-axial Dilator	+ZZ=+FN1(Add 18G Fixing Needle)
16F	BT-PDS-16XX-NK2-T (+ZZ)	8F, 10F, 12F, 14F, 16F			+ZZ=+IN1(Add 18G Guiding Needle)

- Note: 1. BT-PDS-..... NK2(+ZZ) means drainage catheter kit packaged in sterile pouch without tray.
 2. Optional accessories (+ZZ) are available for enhancing the use of the NK2 kit as a support for various drainage procedure.

NK2 Kit



INTRODUCER DRAINAGE CATHETER KIT (NK2 Type)

- A kit basically consists of: Pigtail Drainage Catheter with Straightener, Metal Stiffening Cannula, Flexible Stiffening Cannula (only for 7~16F catheter), 6Fr Co-axial Dilator, Dilators, 21G Introducer Needle, 0.018" Guide Wire (80cm), 0.035" Guidewire (150cm) . See our detailed specifications listed below.

With SAFETY STRING LOCK

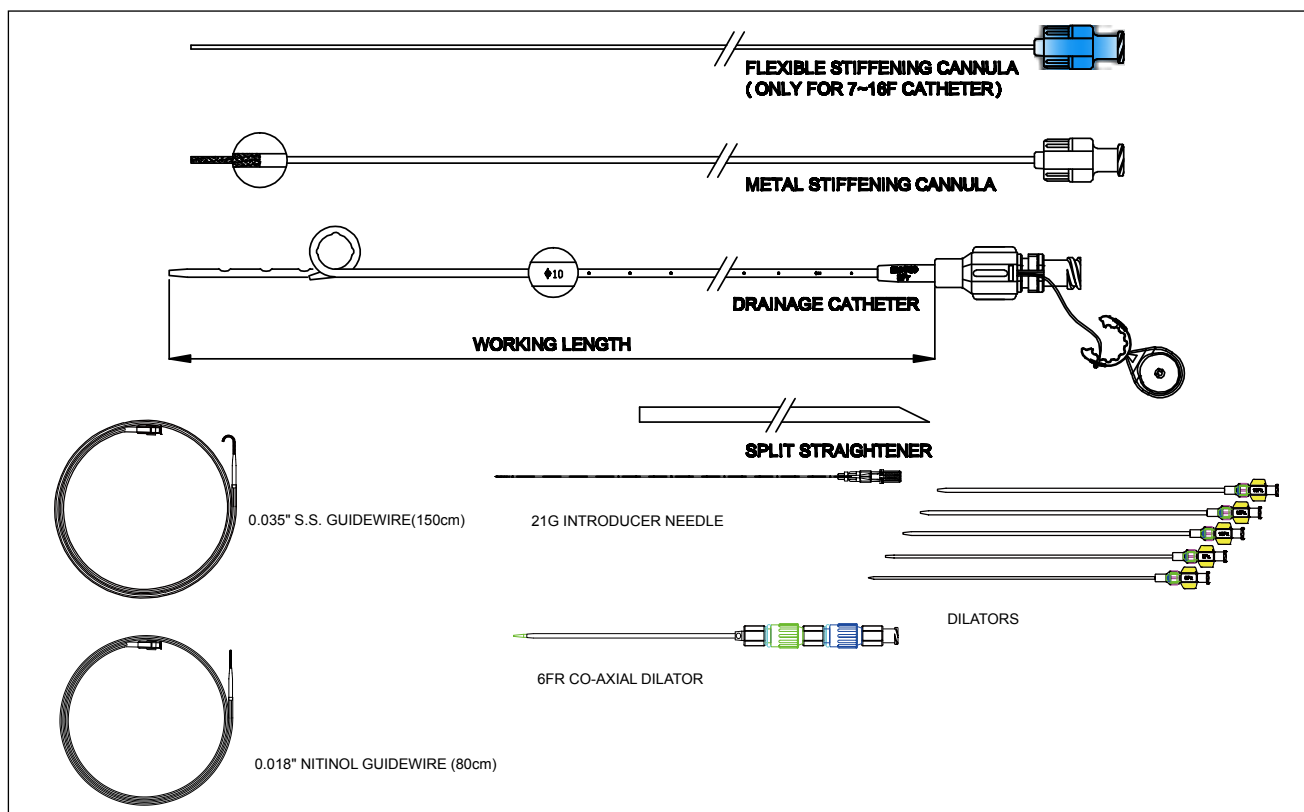
Catheter French Size	Order Number	Included Dilators	Catheter Working Length	Other Kit Accessories	Optional Accessories
6F	BT-PDS-06XX-W-NK2(L)-T (+ZZ)	7F	34cm (XX=35)	*Metal Stiffening Cannula	+ZZ=+SC(Add Scalpel) +ZZ=+ST(Add Stopcock)
7F	BT-PDS-07XX- W-NK2(L)-T (+ZZ)	7F, 8F			
8F	BT-PDS-08XX- W-NK2(L)-T (+ZZ)	8F, 9F	39cm (XX=40)	*Flexible Stiffening Cannula(Only for 7~16F Catheter)	+ZZ=+CT(Add Connecting Tube)
9F	BT-PDS-09XX- W-NK2(L)-T (+ZZ)	8F, 10F			+ZZ=+DB(Add Drainage Bag)
10F	BT-PDS-10XX- W-NK2(L)-T (+ZZ)	8F, 10F, 11F	34cm (XX=35)	*21G(0.82mm)x15cm Puncture Needle with stylet	+ZZ=+CS(Add Catheter Securement Device)
12F	BT-PDS-12XX- W-NK2(L)-T (+ZZ)	8F, 10F, 12F, 13F	44cm (XX=45)	*Radiopaque Coil Tip 0.018 inch (0.46mm)x80cm Nitinol Guide Wire	+ZZ=+CN(Add 22G Contrasting Needle)
14F	BT-PDS-14XX- W-NK2(L)-T (+ZZ)	8F, 10F, 12F, 14F, 15F	49cm (XX=50)	*3mm J tip 0.035 inch(0.89mm)x150cm Guide Wire	+ZZ=+RD(Add Retention Disk)
16F	BT-PDS-16XX- W-NK2(L)-T (+ZZ)	8F, 10F, 12F, 14F, 16F		*6Fr x26cm Co-axial Dilator	+ZZ=+FN1(Add 18G Fixing Needle) +ZZ=+IN1(Add 18G Guiding Needle)

Without SAFETY STRING LOCK

Catheter French Size	Order Number	Included Dilators	Catheter Working Length	Other Kit Accessories	Optional Accessories
5F	BT-PDS-05XX-NK2(L)-T (+ZZ)		34cm (XX=35)	*Metal Stiffening Cannula	+ZZ=+SC(Add Scalpel)
6F	BT-PDS-06XX-NK2(L)-T (+ZZ)	7F			+ZZ=+ST(Add Stopcock)
7F	BT-PDS-07XX-NK2(L)-T (+ZZ)	7F, 8F	39cm (XX=40)	*Flexible Stiffening Cannula(Only for 7~16F Catheter)	+ZZ=+CT(Add Connecting Tube)
8F	BT-PDS-08XX-NK2(L)-T (+ZZ)	8F, 9F			+ZZ=+DB(Add Drainage Bag)
9F	BT-PDS-09XX-NK2(L)-T (+ZZ)	8F, 10F	34cm (XX=35)	*21G(0.82mm)x15cm Puncture Needle with stylet	+ZZ=+CS(Add Catheter Securement Device)
10F	BT-PDS-10XX-NK2(L)-T (+ZZ)	8F, 10F, 11F	44cm (XX=45)	*Radiopaque Coil Tip 0.018 inch (0.46mm)x80cm Nitinol Guide Wire	+ZZ=+CN(Add 22G Contrasting Needle)
12F	BT-PDS-12XX-NK2(L)-T (+ZZ)	8F, 10F, 12F, 13F	49cm (XX=50)	*3mm J tip 0.035 inch(0.89mm)x150cm Guide Wire	+ZZ=+RD(Add Retention Disk)
14F	BT-PDS-14XX-NK2(L)-T (+ZZ)	8F, 10F, 12F, 14F, 15F		*6Fr x26cm Co-axial Dilator	+ZZ=+FN1(Add 18G Fixing Needle)
16F	BT-PDS-16XX-NK2(L)-T (+ZZ)	8F, 10F, 12F, 14F, 16F			+ZZ=+IN1(Add 18G Guiding Needle)

- Note: 1. BT-PDS-..... NK2(L)(+ZZ) means drainage catheter kit packaged in sterile pouch without tray.
2. Optional accessories (+ZZ) are available for enhancing the use of the NK2 kit as a support for various drainage procedure.

NK2 Kit



INTRODUCER DRAINAGE CATHETER KIT (NK2A Type)

- A kit basically consists of: Pigtail Drainage Catheter with Straightener, Metal Stiffening Cannula, Flexible Stiffening Cannula (only for 7~16F catheter), 5Fr Co-axial Dilator, Dilators, 21G Introducer Needle, 0.018" Guide Wire (80cm), 0.035" Guidewire (90cm). See our detailed specifications listed below.

With SAFETY STRING LOCK

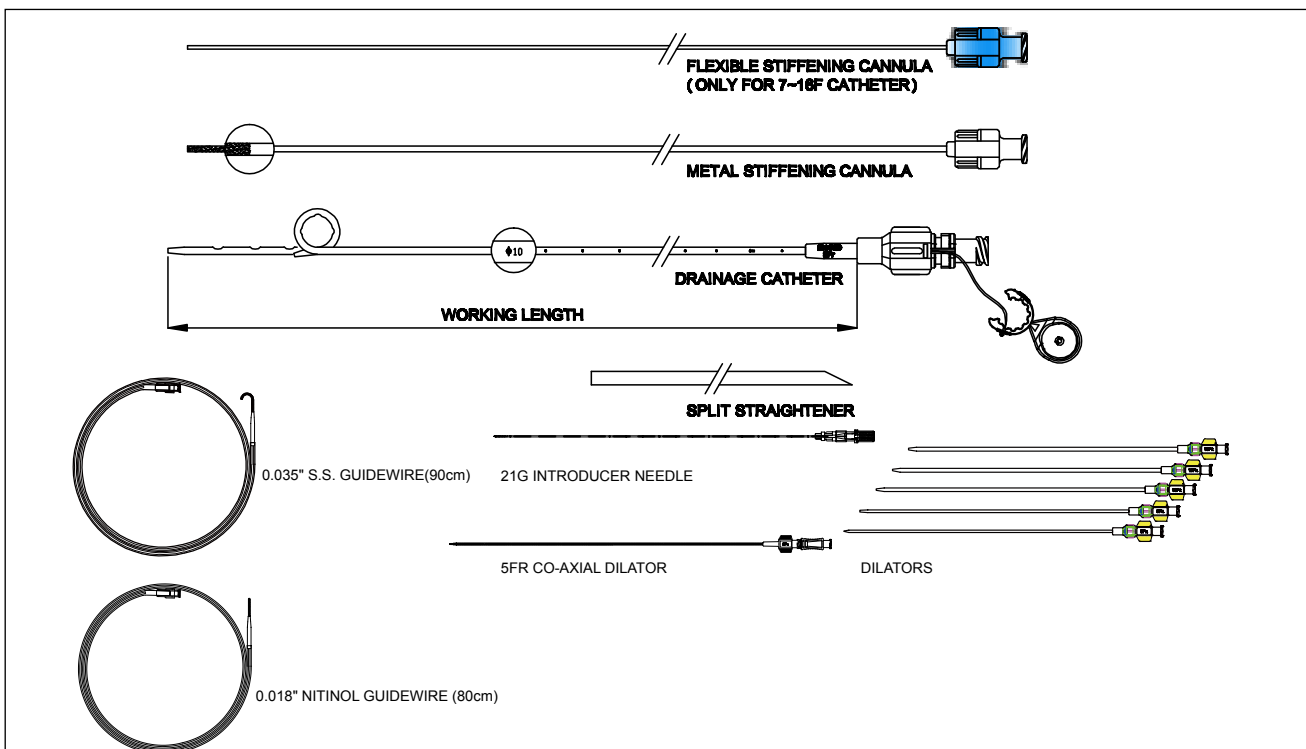
Catheter French Size	Order Number	Included Dilators	Catheter Working Length	Other Kit Accessories	Optional Accessories
6F	BT-PDS-06XX-W-NK2A-T(+ZZ)	6F, 7F		*Metal Stiffening Cannula	+ZZ+=SC(Add Scalpel) +ZZ+=ST(Add Stopcock)
7F	BT-PDS-07XX-W-NK2A-T(+ZZ)	6F, 7F, 8F	19cm(XX=20)		
8F	BT-PDS-08XX-W-NK2A-T(+ZZ)	6F, 8F, 9F	24cm(XX=25)	*Flexible Stiffening Cannula(Only for 7~16F Catheter)	+ZZ+=CT(Add Connecting Tube)
9F	BT-PDS-09XX-W-NK2A-T(+ZZ)	6F, 8F, 10F	29cm(XX=30)		+ZZ+=DB(Add Drainage Bag)
10F	BT-PDS-10XX-W-NK2A-T(+ZZ)	6F, 8F, 10F, 11F	34cm(XX=35)	*21G(0.82mm)x15cm Puncture Needle with stylet	+ZZ+=CS(Add Catheter Securement Device)
12F	BT-PDS-12XX-W-NK2A-T(+ZZ)	6F, 8F, 10F, 12F, 13F	39cm(XX=40)	*Radiopaque Coil Tip 0.018 inch (0.46mm)x80cm Nitinol Guide Wire	+ZZ+=CN(Add 22G Contrasting Needle)
14F	BT-PDS-14XX-W-NK2A-T(+ZZ)	6F, 8F, 10F, 12F, 14F, 15F		*3mm J tip 0.035 inch(0.89mm)x90cm Guide Wire	+ZZ+=RD(Add Retention Disk)
16F	BT-PDS-16XX-W-NK2A-T(+ZZ)	6F, 8F, 10F, 12F, 14F, 16F		*5Frx18cm Co-axial Dilator	+ZZ+=FN1(Add 18G Fixing Needle) +ZZ+=IN1(Add 18G Guiding Needle)

Without SAFETY STRING LOCK

Catheter French Size	Order Number	Included Dilators	Catheter Working Length	Other Kit Accessories	Optional Accessories
5F	BT-PDS-05XX-NK2A-T(+ZZ)	6F		*Metal Stiffening Cannula	+ZZ+=SC(Add Scalpel) +ZZ+=ST(Add Stopcock)
6F	BT-PDS-06XX-NK2A-T(+ZZ)	6F, 7F	19cm(XX=20)		
7F	BT-PDS-07XX-NK2A-T(+ZZ)	6F, 7F, 8F	24cm(XX=25)	*Flexible Stiffening Cannula(Only for 7~16F Catheter)	+ZZ+=CT(Add Connecting Tube)
8F	BT-PDS-08XX-NK2A-T(+ZZ)	6F, 8F, 9F	29cm(XX=30)		+ZZ+=DB(Add Drainage Bag)
9F	BT-PDS-09XX-NK2A-T(+ZZ)	6F, 8F, 10F	34cm(XX=35)	*21G(0.82mm)x15cm Puncture Needle with stylet	+ZZ+=CS(Add Catheter Securement Device)
10F	BT-PDS-10XX-NK2A-T(+ZZ)	6F, 8F, 10F, 11F	39cm(XX=40)	*Radiopaque Coil Tip 0.018 inch (0.46mm)x80cm Nitinol Guide Wire	+ZZ+=CN(Add 22G Contrasting Needle)
12F	BT-PDS-12XX-NK2A-T(+ZZ)	6F, 8F, 10F, 12F, 13F		*3mm J tip 0.035 inch(0.89mm)x90cm Guide Wire	+ZZ+=RD(Add Retention Disk)
14F	BT-PDS-14XX-NK2A-T(+ZZ)	6F, 8F, 10F, 12F, 14F, 15F		*5Frx18cm Co-axial Dilator	+ZZ+=FN1(Add 18G Fixing Needle)
16F	BT-PDS-16XX-NK2A-T(+ZZ)	6F, 8F, 10F, 12F, 14F, 16F			+ZZ+=IN1(Add 18G Guiding Needle)

- Note: 1. BT-PDS-..... NK2A(+ZZ) means drainage catheter kit packaged in sterile pouch without tray.
2. Optional accessories (+ZZ) are available for enhancing the use of the NK2A kit as a support for various drainage procedure.

NK2A Kit



INTRODUCER DRAINAGE CATHETER KIT (NK2A Type)

- A kit basically consists of: Pigtail Drainage Catheter with Straightener, Metal Stiffening Cannula, Flexible Stiffening Cannula (only for 7~16F catheter), 5Fr Co-axial Dilator, Dilators, 21G Introducer Needle, 0.018" Guide Wire (80cm), 0.035" Guidewire(150cm) . See our detailed specifications listed below.

With SAFETY STRING LOCK

Catheter French Size	Order Number	Included Dilators	Catheter Working Length	Other Kit Accessories	Optional Accessories
6F	BT-PDS-06XX-W-NK2A(L)-T(+ZZ)	6F, 7F		*Metal Stiffening Cannula	+ZZ+=SC(Add Scalpel)
7F	BT-PDS-07XX- W-NK2A(L)-T(+ZZ)	6F, 7F, 8F	34cm(XX=35)		+ZZ+=ST(Add Stopcock)
8F	BT-PDS-08XX- W-NK2A(L)-T(+ZZ)	6F, 8F, 9F	39cm(XX=40)	*Flexible Stiffening Cannula(Only for 7~16F Catheter)	+ZZ+=CT(Add Connecting Tube)
9F	BT-PDS-09XX- W-NK2A(L)-T(+ZZ)	6F, 8F, 10F	44cm(XX=45)		+ZZ+=DB(Add Drainage Bag)
10F	BT-PDS-10XX- W-NK2A(L)-T(+ZZ)	6F, 8F, 10F, 11F	49cm(XX=50)	*21G(0.82mm)x15cm Puncture Needle with stylet	+ZZ+=CS(Add Catheter Securement Device)
12F	BT-PDS-12XX- W-NK2A(L)-T(+ZZ)	6F, 8F, 10F, 12F, 13F		*Radiopaque Coil Tip 0.018 inch (0.46mm)x80cm Nitinol Guide Wire	+ZZ+=CN(Add 22G Contrasting Needle)
14F	BT-PDS-14XX- W-NK2A(L)-T(+ZZ)	6F, 8F, 10F, 12F, 14F, 15F		*3mm J tip 0.035 inch(0.89mm)x150cm Guide Wire	+ZZ+=RD(Add Retention Disk)
16F	BT-PDS-16XX- W-NK2A(L)-T(+ZZ)	6F, 8F, 10F, 12F, 14F, 16F		*5Fr x26cm Co-axial Dilator	+ZZ+=FN1(Add 18G Fixing Needle) +ZZ+=IN1(Add 18G Guiding Needle)

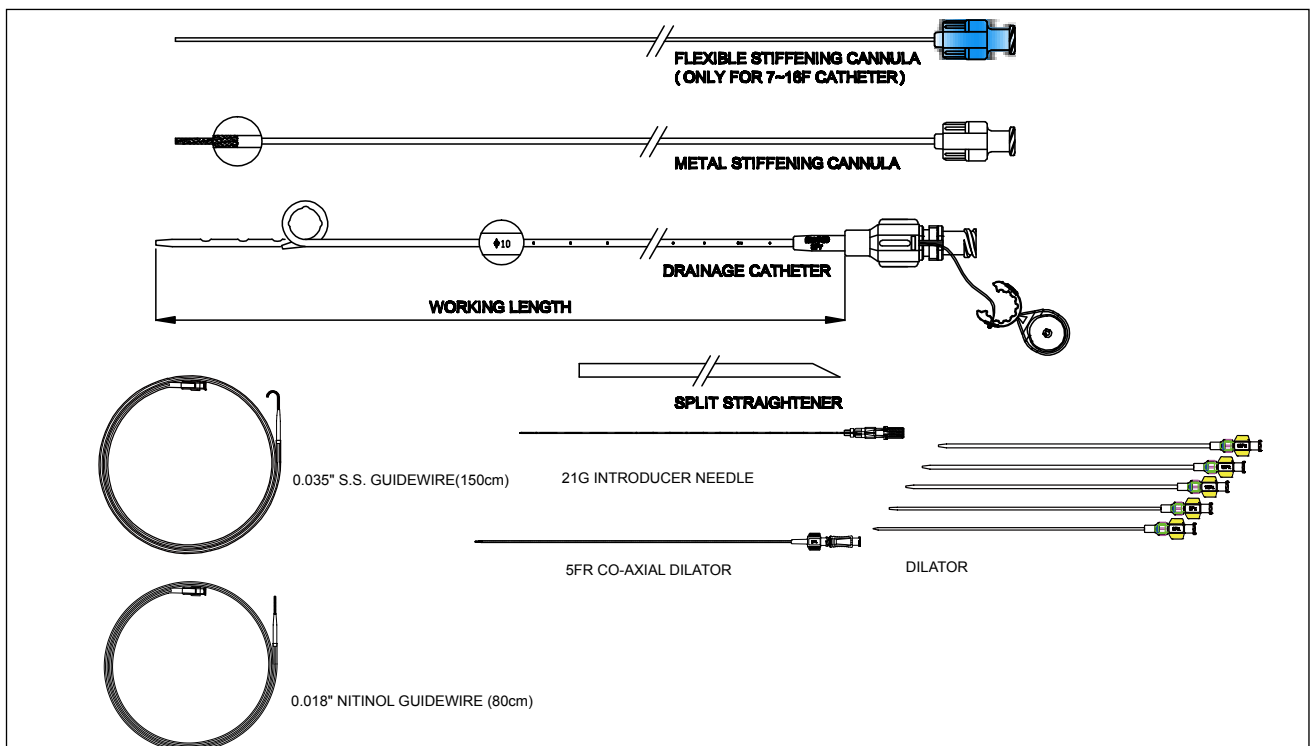
Without SAFETY STRING LOCK

Catheter French Size	Order Number	Included Dilators	Catheter Working Length	Other Kit Accessories	Optional Accessories
5F	BT-PDS-05XX-NK2A(L)-T(+ZZ)	6F		*Metal Stiffening Cannula	+ZZ+=SC(Add Scalpel)
6F	BT-PDS-06XX-NK2A(L)-T(+ZZ)	6F, 7F	34cm(XX=35)		+ZZ+=ST(Add Stopcock)
7F	BT-PDS-07XX-NK2A(L)-T(+ZZ)	6F, 7F, 8F	39cm(XX=40)	*Flexible Stiffening Cannula(Only for 7~16F Catheter)	+ZZ+=CT(Add Connecting Tube)
8F	BT-PDS-08XX-NK2A(L)-T(+ZZ)	6F, 8F, 9F	44cm(XX=45)		+ZZ+=DB(Add Drainage Bag)
9F	BT-PDS-09XX-NK2A(L)-T(+ZZ)	6F, 8F, 10F	49cm(XX=50)	*21G(0.82mm)x15cm Puncture Needle with stylet	+ZZ+=CS(Add Catheter Securement Device)
10F	BT-PDS-10XX-NK2A(L)-T(+ZZ)	6F, 8F, 10F, 11F		*Radiopaque Coil Tip 0.018 inch (0.46mm)x80cm Nitinol Guide Wire	+ZZ+=CN(Add 22G Contrasting Needle)
12F	BT-PDS-12XX-NK2A(L)-T(+ZZ)	6F, 8F, 10F, 12F, 13F		*3mm J tip 0.035 inch(0.89mm)x150cm Guide Wire	+ZZ+=RD(Add Retention Disk)
14F	BT-PDS-14XX-NK2A(L)-T(+ZZ)	6F, 8F, 10F, 12F, 14F, 15F		*5Fr x26cm Co-axial Dilator	+ZZ+=FN1(Add 18G Fixing Needle)
16F	BT-PDS-16XX-NK2A(L)-T(+ZZ)	6F, 8F, 10F, 12F, 14F, 16F			+ZZ+=IN1(Add 18G Guiding Needle)

Note: 1. BT-PDS-..... NK2A(L)+ZZ means drainage catheter kit packaged in sterile pouch without tray.

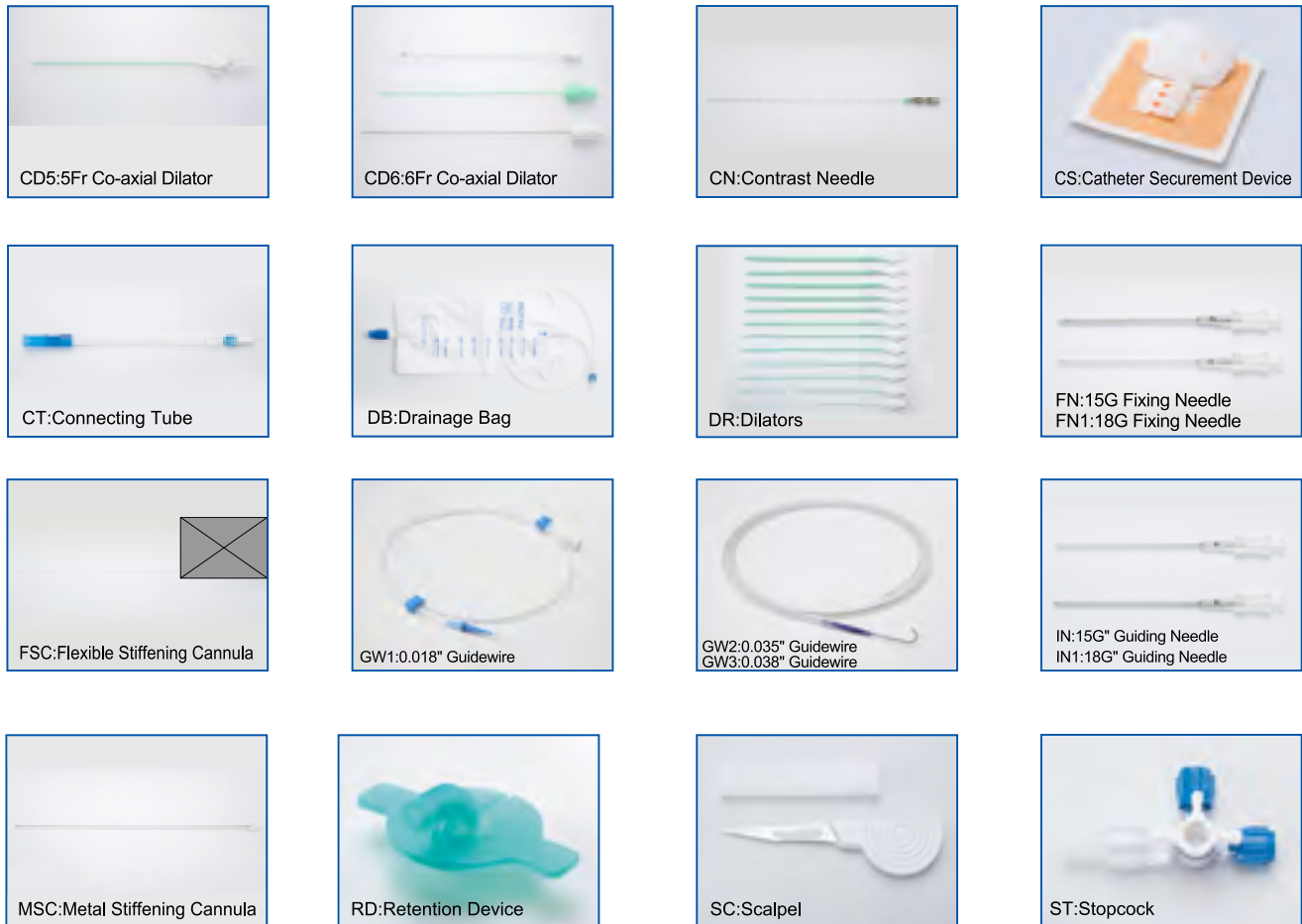
2. Optional accessories (+ZZ) are available for enhancing the use of the NK2A kit as a support for various drainage procedure.

NK2A Kit



OPTIONAL ACCESSORIES (+ZZ)

• Below are optional accessories for your drainage catheter kit, add up all necessary optional accessories using the the two letter state abbreviation (CD, CS...etc.), now you can start over and select accessories at your own discretion:



CATALOGUE NUMBER LOGIC:

BT-PDS-0840-W-NK2-T(+CN/CS/CT/DB/FN/RD/SC/ST)



This kit consists of : Pigtail Drainage Catheter with Straightener, Metal Stiffening Cannula, Flexible Stiffening Cannula (only for 7~16F catheter), 6Fr Co-axial Dilator, Dilators, 21G Introducer Needle, 0.018"Guide Wire (80cm), 0.035" Guidewire (90cm), Contrast needle (CN), Catheter Securement Device(CS), Fixing Needle(FN), Retention Device (RD), Scalpel (SC) and Stopcock (ST).